



Horizontal Articulated Robot

# LPH series

**DENSO**

High-performance,  
low-priced,  
compact and light weight  
SCARA Robot!



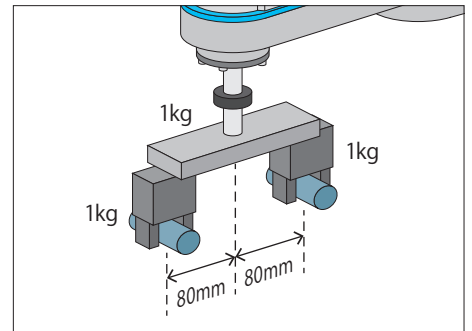
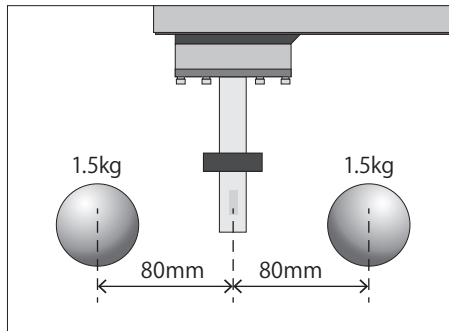
Maximum arm reach	400mm
Maximum payload	3kg
Position repeatability	±0.02mm
Mounting orientation	Floor

## Features

### Gripper Design with High Degree of Freedom

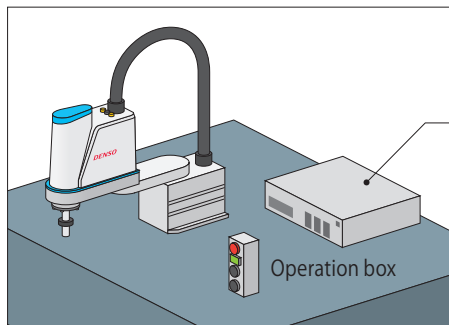
The maximum moment of inertia of the T-axis is large in order to provide a gripper design with a high degree of freedom.

\* Also supports use in other configurations including in an overhanging position.



### Reduction in Work Time without the Use of PLC

The robot and surrounding equipment can be controlled together according to the purpose through use of the high-performance controller RC8 function. This feature realizes a total cost down for equipment.



```

'TITLE "TSRO"
PROGRAM TSRO

DO
  RobState = SYSSTATE
  DELAY 1
  IF (RobState AND &h0C1F) = &h0818 THEN RobotInit
  = 1 ELSE RobotInit = DELAY 1
  IF (RobState AND &h0C1F) = &h081C THEN RobotCondi
  = 1 ELSE RobotCondi = 0
  DELAY 1
  
```

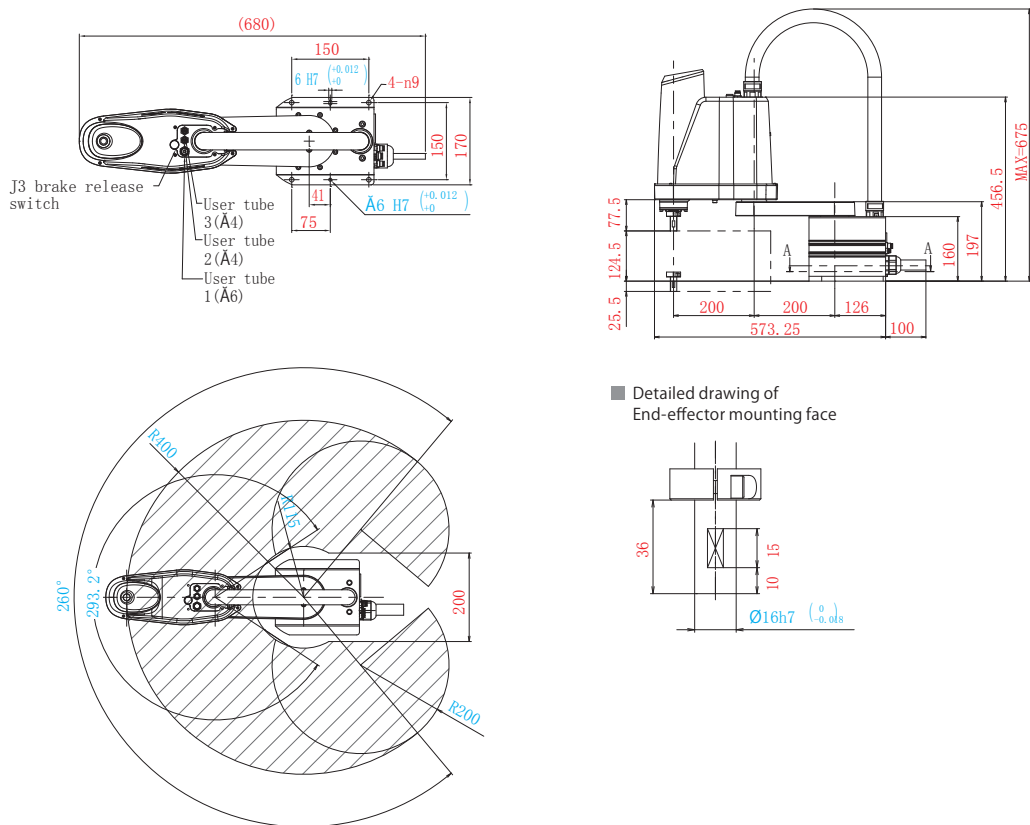
Privilege Task Function

### Enables Control from PLC with No Programming Knowledge Required

Utilizing the command-slave function provided as a free option enables the direct control of the robot from PLC through the Function Block (FB) feature that supports 107 types of robot commands that can be openly programmed from PLC.

This feature allows adjustments to be performed with only PLC knowledge without needing to create programs on the robot side, to realize a reduction in work time for initial adjustments at the start of use.

LPH040



Specifications

Term	Specifications	
Model name of robot unit	LPH-040A1	
Overall arm length(first arm + second arm)	200+200=400mm	
Motion angle and stroke	J1(1st-Axis)	±130°
	J2(2nd-Axis)	±146.6°
	Z(3rd-Axis)	150mm
	T(4rd-Axis)	±360°
Axis combination	J1(1st-Axis)+J2(2nd-Axis)+Z(3rd-Axis)+Z(3rd-Axis)	
Maximum payload	3kg	
Cycle time (*2)	0.45sec	
Maximum composite speed (at the center of an end-effector mounting face)	At the center of the hand mounting flange	4710mm/sec
	Z	1250mm/sec
	T	1875deg/sec
Position repeatability (at the center of an end-effector mounting face) (*3)	J1+J2	±0.02mm
	Z	±0.02mm
	T	±0.01°
Maximum force-fit (downward, for up to 1 sec)	90N	
Maximum allowable moment of inertia	0.075kgm <sup>2</sup>	
Position detection	Absolute encoder	
Drive motor and brake	AC servomotors for all joints / Brakes for Z axis	
User air pipe	3 systems (φ4×2, φ6×1)	
User signal line	15 (for proximity sensor signals, etc.)	
Air source	Operating pressure	0.05~0.35MPa
	Max. allowable pressure	0.6MPa
Weight	Approx. 16kg	

\*1 :This product cannot be sold in some countries.

\*2 :Time required for a robot to move a 2kg payload between two points 300 mm apart at a height of 25mm.

\*3 :Position repeatability is the precision at constant ambient temperature.



Please visit our website for more information on products and functions.  
www.densorobotics-europe.com



Official DENSO Robotics Europe Channel: Provides explanatory videos of functions, case studies, and robot applications.



DENSO ROBOTICS EUROPE  
Waldeckerstrasse 9, D-64546 Moerfelden-Walldorf, Germany  
Phone: +49-6105-27-35-150 FAX: +49-6105-27-35-180

DENSO KOREA CORPORATION  
131, Seonggogae-ro, Uiwang-si, Gyeonggi-do, Korea 437-120  
Phone: +82-31-340-1783 FAX: +82-31-8033-7213

DENSO WAVE INCORPORATED  
1-1 Showa-Cho, Kariya, Aichi, Japan 448-8661  
Phone: +81-556-55-9408 FAX: +81-556-55-4778

DENSO Products and Services Americas, Inc.  
3900 Via Oro Avenue, Long Beach, California, 90810, U.S.A.  
Phone: +1-888-476-2689 FAX: +1-310-952-7502

DENSO (CHINA) INVESTMENT CO., LTD.  
No.35 Yuandian Road, Minhang District, Shanghai, CHINA 201108  
Phone: +86-21-2350-0093 FAX: +86-21-2350-0179

DENSO SALES (THAILAND) CO.,LTD.  
888 Moo 1, Bangna-Trad Rd. Km 27.5, T.Bangbor, A.Bangbor, Samutprakarn, 10560, Thailand  
Phone: +66-2-315-9500 FAX: +66-2-315-9556