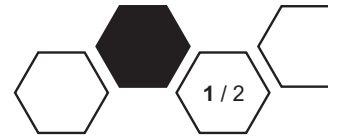


IO Extension



The IO Extension is used to expand the standard inputs and outputs of the DSM control systems. The device is automatically detected via the DSM system bus interface and controlled with 24 V.

The inputs and outputs can be used for any control tasks in the sequence programming of the control system. Special commands are available for the setting and resetting of outputs as well as for querying inputs. Up to 16 extension modules can be managed at a control unit.



8/8S



8/8C

- Stable aluminium housing with fastening bores
- Status indicator for inputs / outputs
- DSM system bus functional control
- Reset button
- System bus interfaces input / output
- Connection of the I/O level via terminal blocks or circular connectors

I/O Extension 4/4S	MS-1003044
---------------------------	------------

4 inputs, 4 outputs – I/O connection via terminal block
 Connection to the MultiPro 3G via DSM system bus

I/O Extension 4/4C	MS-1003144
---------------------------	------------

4 inputs, 4 outputs – I/O connection via M8 circular plug-in connector
 Connection to the MultiPro 3G via DSM system bus

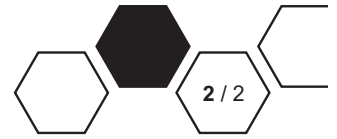
I/O Extension 8/8S	MS-1003088
---------------------------	------------

8 inputs, 8 outputs – I/O connection via terminal block
 Connection to the MultiPro 3G via DSM system bus

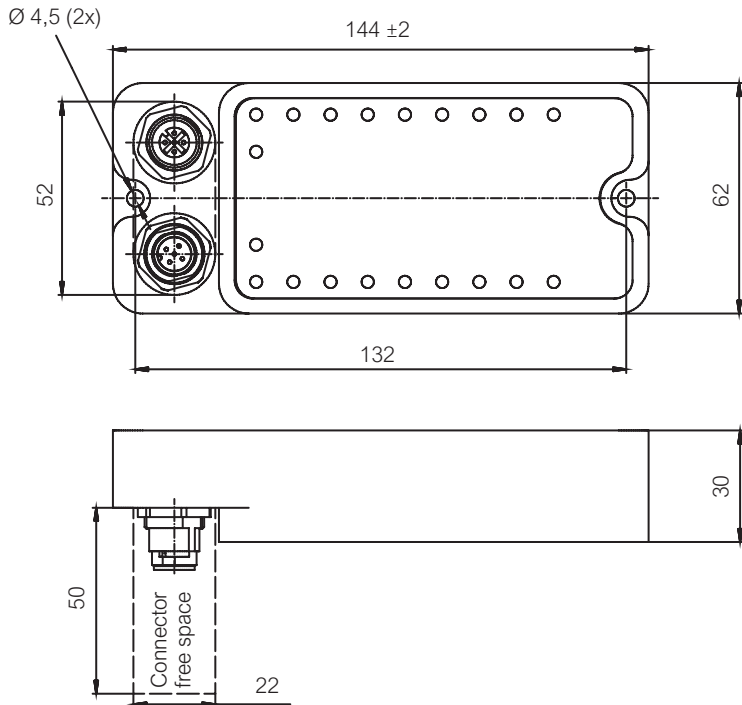
I/O Extension 8/8C	MS-1003188
---------------------------	------------

8 inputs, 8 outputs – I/O connection via M8 circular plug-in connector
 Connection to the MultiPro 3G via DSM system bus

IO Extension



4/4S, 4/4C, 8/8S



8/8C

