

DSH 34 series

A) DSH 34 MDW with torque transducer Straight output



Type	Max. torque Nm	Application area Nm	Max. speed rpm	Angle resolution Degree [°]	Article number
DSH 34 / 05 MDW	5	1 – 5	1540	1,7	DSH-2340051
DSH 34 / 10 MDW	10	2 – 10	1540	1,7	DSH-2340101

Torque accuracy 0,5 %, torque tolerance better 5 % according to ISO 5393

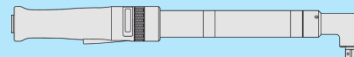
B) DSH 34 SA without torque transducer Straight output



Type	Max. torque Nm	Application area Nm	Max. speed rpm	Angle resolution Degree [°]	Article number
DSH 34 / 05 SA	5	1 – 5	1540	1,7	DSH-2341051
DSH 34 / 10 SA	10	2 – 10	1540	1,7	DSH-2341101

Torque accuracy 5 %

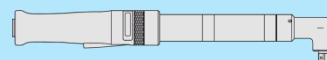
C) DSH 34 MDW-WA with torque transducer
Angle head (3/8" square drive)



Type	Max. torque Nm	Application area Nm	Max. speed rpm	Angle resolution Degree [°]	Article number
DSH 34 / 05 MDW-WA	5	1 – 5	1070	1,2	DSH-2340050
DSH 34 / 10 MDW-WA	10	2 – 10	1070	1,2	DSH-2340100
DSH 34 / 20 MDW-WA	20	4 – 20	1070	1,2	DSH-2340200

Torque accuracy 0,5 %, torque tolerance better 8 % according to ISO 5393

D) DSH 34 SA-WA without torque transducer
Angle head (3/8" square drive)



Type	Max. torque Nm	Application area Nm	Max. speed rpm	Angle resolution Degree [°]	Article number
DSH 34 / 05 SA-WA	5	1 – 5	1070	1,2	DSH-2341050
DSH 34 / 10 SA -WA	10	2 – 10	1070	1,2	DSH-2341100
DSH 34 / 20 SA-WA	20	4 – 20	1070	1,2	DSH-2341200

Torque accuracy 5 %

F) Spring output



Type	Article number
Spring output 30 mm	DS-2403025
Spring output 50 mm	DS-2403030

1) Hexagonal quick change chuck
D6,3



Type	Article number
Bit shaft precision-guide 24 mm	DS-2403710

2) Hexagonal quick change chuck
D6,3



Type	Article number
Bit shaft precision-guide 13 mm	DS-2403705

3) Square drive 3/8"



Type	Article number
Square drive 3/8"	DS-2403720

4) Square drive 1/4"



Type	Article number
Square drive 1/4"	DS-2403715

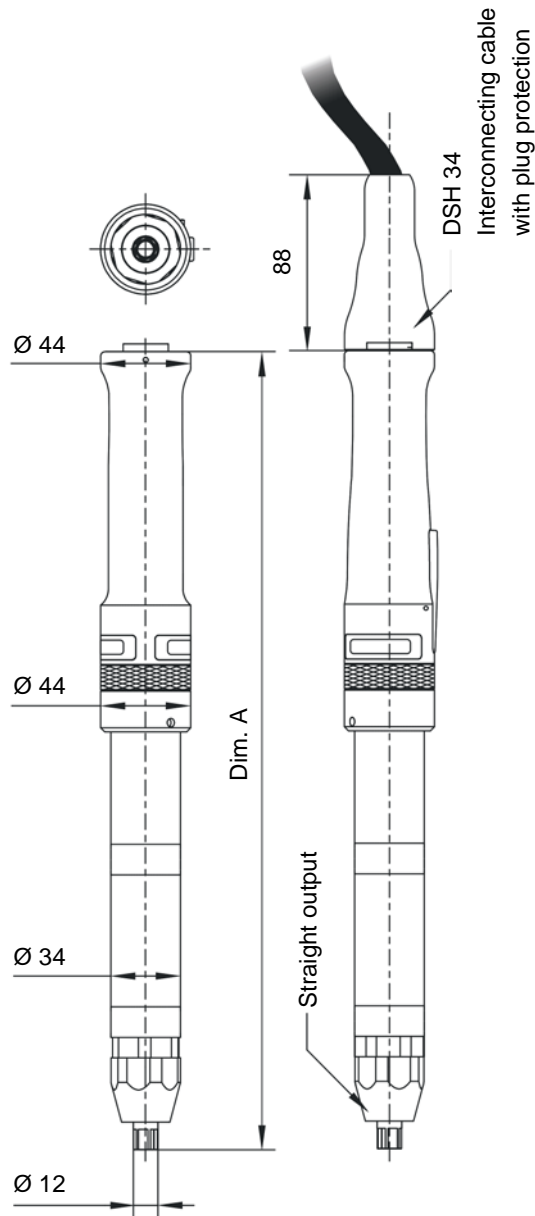
Cable

Cable for interconnection between nutrunner and control system

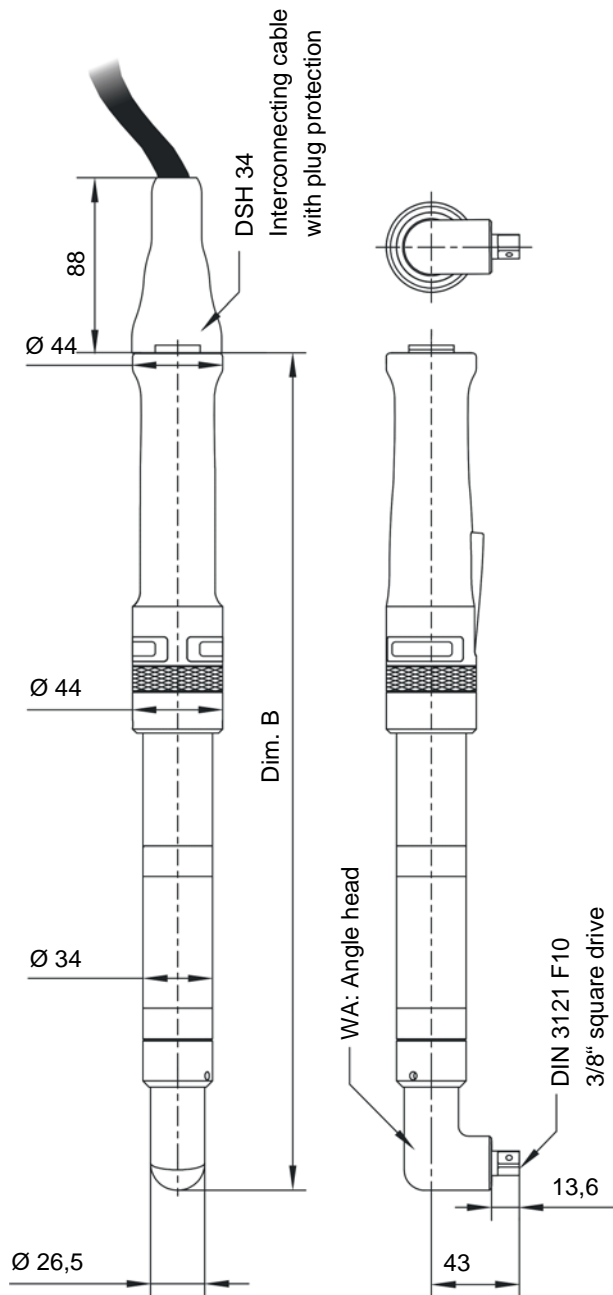
Typ	Cable length	Article number
Interconnecting cable DSH34 / DSH44 DSP05 - with plug protection	5 m	MK-2409305
Interconnecting cable DSH34 / DSH44 DSP10 - with plug protection	10 m	MK-2409310
Interconnecting cable DSH34 / DSH44 DSP15 - with plug protection	15 m	MK-2409315

Technical drawings DSH 34 series

DSH 34 MDW/SA

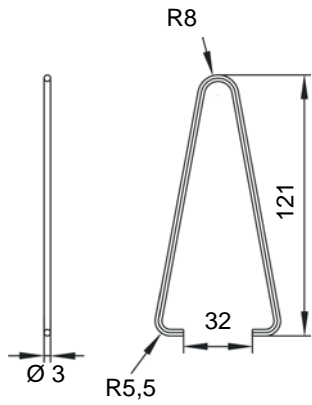


DSH 34 MDW-WA/SA-WA

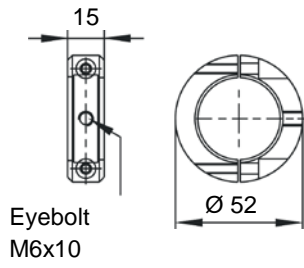


Type	Dimension A mm	Type	Dimension B mm
DSH 34 / 05 / 10 MDW	448 ±2	DSH 34 / 05 / 10 / 20 MDW-WA	459 ±2
DSH 34 / 05 / 10 SA	398 ±2	DSH 34 / 05 / 10 / 20 SA-WA	409 ±2

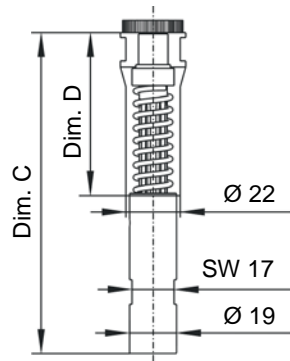
Suspension clip



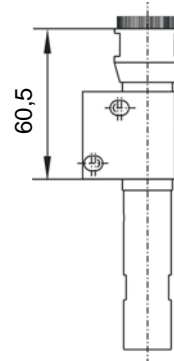
Suspension eye



Spring output



Self start

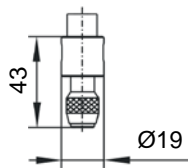
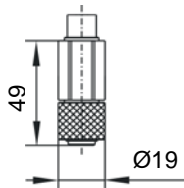


Spring deflexion	Dimension C mm	Dimension D mm
30 mm	130	66
50 mm	150	86

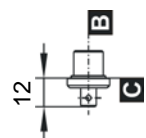
Hexagonal quick change chuck DIN 3126 D6,3

Bit shaft precision-guide 24 mm

Bit shaft precision-guide 13 mm



Square drive DIN 3121 F6,3



Square drive DIN 3121 F10

