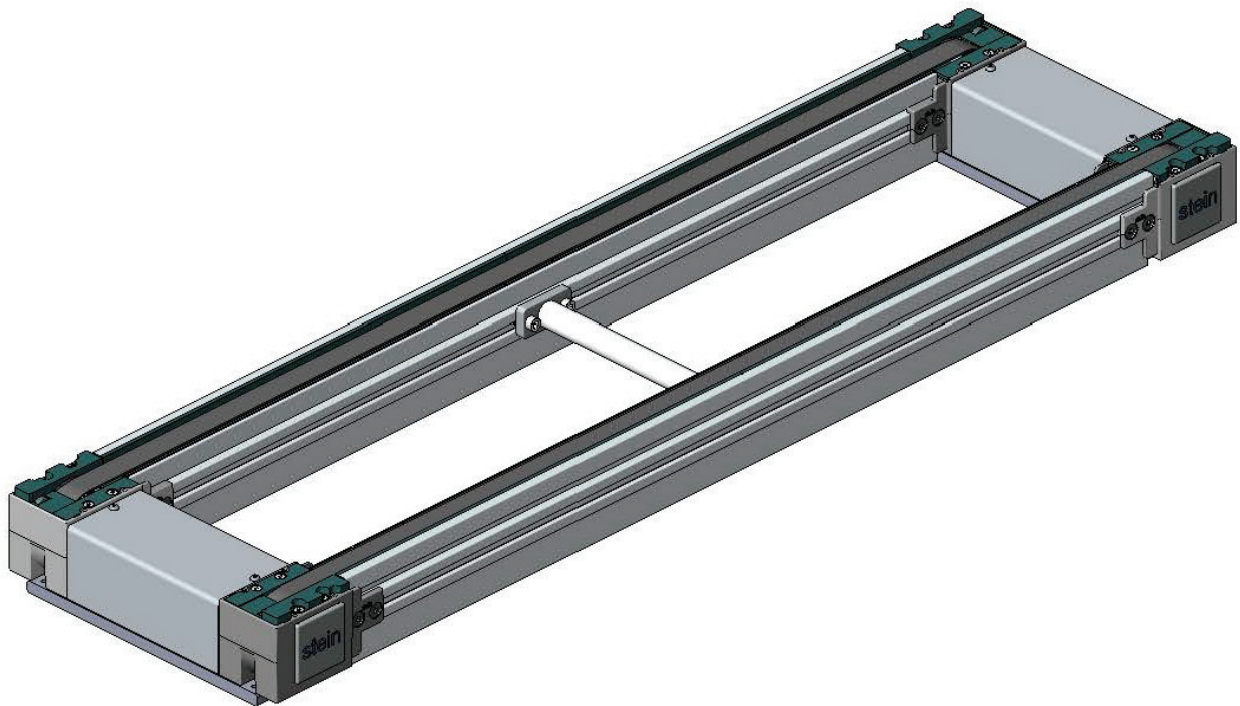


## Conveyor (BE) / transverse section component (QE) SOFT MOVE

STEIN Workpiece Transport System

### Operating instructions

Attention all installation, operating and maintenance personnel -  
always keep these instructions by the conveyor / transverse section element!



© by STEIN Automation

The copyright in these documents is reserved by STEIN Automation.

Original language of the documentation: German

This documentation may not be altered, distributed, reproduced or transferred to third parties without the prior written permission of STEIN Automation.

STEIN Automation GmbH & Co. KG

Carl-Haag-Straße 26

78054 VS-Schwenningen, Germany

Telephone: (+)49 (0)7720 / 8307 – 0

Publication date: march 2020

We reserve the right to make changes to the design and construction

## Contents

<b>1</b>	<b>Abbreviations and symbols .....</b>	<b>5</b>
1.1	Explanation of safety and warning notices .....	5
<b>2</b>	<b>Introduction .....</b>	<b>6</b>
2.1	Short description .....	7
2.2	Initial inspection .....	11
2.3	Complaints.....	11
2.4	Warranty .....	11
<b>3</b>	<b>Safety information .....</b>	<b>12</b>
3.1	General safety information .....	12
3.2	Appropriate use and liability exclusions.....	12
3.3	Residual danger .....	14
3.4	Safety information for installation and repair work.....	15
<b>4</b>	<b>Technical description .....</b>	<b>16</b>
4.1	Scope of delivery .....	16
4.2	System components.....	17
<b>5</b>	<b>Installing the conveyor .....</b>	<b>20</b>
5.1	Mounting the conveyor.....	20
5.2	Number of column bases required.....	21
5.3	Connection to the mains supply .....	21
5.4	Installation of safety equipment (optional) .....	21
5.5	Installation of the stop fittings.....	21
<b>6</b>	<b>Initial operation .....</b>	<b>22</b>
<b>7</b>	<b>Operation of the the conveyor.....</b>	<b>22</b>
<b>8</b>	<b>Faults .....</b>	<b>23</b>
8.1	Troubleshooting problems .....	23
<b>9</b>	<b>Cleaning, inspection, maintenance.....</b>	<b>24</b>
9.1	Cleaning.....	24
9.2	Inspection .....	25
9.3	Maintenance .....	25
<b>10</b>	<b>Dimension sheet.....</b>	<b>26</b>
<b>11</b>	<b>Conveyor models.....</b>	<b>27</b>
11.1	901 000 001 Conveyor with rollers.....	27
11.2	937 001 001 Conveyor with roller and blank cassette.....	28
11.3	937 002 001 Conveyor with slide rails .....	29
11.4	904 000 001 Conveyor open pulley system with rollers .....	30
11.5	937 024 001 Conveyor open pulley system with roller and blank cassette .....	31
11.6	937 025 001 Conveyor open pulley system with slide rails .....	32
11.7	906 001 001 Process conveyor with rollers.....	33
11.8	937 008 001 Process conveyor with roller and blank cassette.....	34
11.9	907 001 001 Process conveyor with slide rails.....	35
11.10	921 037 001 Half-element, right, with rollers .....	36
11.11	926 000 001 Half-element, right, with roller and blank cassette .....	37
11.12	924 000 001 Half-element, right, with slide rail .....	38
11.13	921 040 001 Half-element, right, with rollers (process conveyor end) .....	39
11.14	929 000 001 Half-element, right - casing with roller and blank cassette (process conveyor end).....	40
11.15	927 000 001 Half-element, right - casing and process conveyor end with slide rail .....	41
11.16	921 038 001 Half-element, left, with rollers.....	42
11.17	932 000 001 Half-element, left, with roller and blank cassette .....	43
11.18	930 000 001 Half-element, left, with slide rail .....	44

11.19	921 039 001	Half-element, left, with rollers (process conveyor end).....	45
11.20	935 000 001	Half-element, left - casing with roller and blank cassette (process conveyor end) .....	46
11.21	933 000 001	Half-element, left - casing with slide rail (process conveyor end) .....	47
<b>12</b>	<b>Belt profile models</b> .....		<b>48</b>
12.1	930 047 001	Belt profile with rollers .....	48
12.2	930 078 001	Belt profile with roller and blank cassette UB >280 .....	49
12.3	300 501 001	Profile with slide rail .....	50
12.4	300 506 001	Belt section, left with rollers .....	51
12.5	300 507 001	Belt section, right with rollers .....	53
12.6	930 050 001	Half-element process conveyor profile, right, with roller and blank cassette in alternation.....	55
12.7	930 059 001	Half-element process conveyor profile, left, with roller and blank cassette in alternation.....	57
12.8	930 048 001	Process conveyor profile, right, with slide rail.....	59
12.9	930 049 001	Process conveyor profile, left, with slide rail.....	61
12.10	300 599 001	Drive fitting (from 2018) .....	63
12.11	300 599 001	Drive fitting (until 2018).....	65
12.12	300 560 001	Drive fitting .....	67
12.13	300 031 001	Spacer .....	68
<b>13</b>	<b>Accessories</b> .....		<b>69</b>
13.1	Drive motors - drive sets .....		69
13.2	Belt accessories .....		77
<b>14</b>	<b>Appendix</b> .....		<b>78</b>
14.1	Technical specifications BER / QER / BEOU / PrB .....		78

## 1 Abbreviations and symbols

- Action symbol
- 1 Symbol for actions which must be carried out in a specified sequence.
- ⇒ Consequence or result of an action
- List
- BE Conveyor
- BeoU Conveyor with open pulley system
- QE Transverse section element
- PrB Process conveyor
- HE Half-element
- Ro With rollers
- GL Rails
- WT Workpiece carrier
- OI Operating instructions
- Fig. Figure

### i

This sign indicates information that will allow the conveyor to be used more effectively and more economically.

The symbols used in the operating instructions for safety and hazard warnings are described in detail in chapter 3.

### 1.1 Explanation of safety and warning notices

The following safety notices indicate all actions where there is danger to life and limb for machine operators or their colleagues.

Strictly comply with these instructions and act with particular care in these cases. Pass the safety notices on to all other users.



**DANGER**

**The sign indicating DANGER means immediate danger!  
The hazard will result in serious injury to personnel or death.**



**WARNING**

**The sign indicating WARNING means potential danger!  
The hazard may result in serious injury to personnel or death.**



**CAUTION**

**The notice indicating CAUTION means a potentially dangerous situation!  
The hazard may result in injury to personnel.**

In the text, the safety notice frequently appears with a picture to explain the source of the hazard.



**CRUSHING HAZARD!**

This symbol gives warning of a location where there is a risk of being crushed.



**HIGH ELECTRICAL VOLTAGE!**

This symbol gives warning of electrical voltage.

It appears for all working and operating procedures that must be followed precisely, in order to avoid injury to personnel or damage to the system through high voltage.

**Other warning signs:**



**ATTENTION**

This sign indicates warnings which, if ignored, will cause a hazard to the machine.



**Protective clothing must be worn!**

Wear your personal safety clothing:  
Safety footwear, hard hat, goggles and safety gloves.



**Environmental protection**

This sign indicates warnings that will help to avoid harming the environment.

## 2 Introduction

The safety of all persons who come into contact with the conveyor / transverse section element depends fundamentally on knowing how the conveyor / transverse section element functions. Therefore:

**Read these operating instructions before using the equipment for the first time.**

These operating instructions contain important information which will ensure the correct, economical and safe operation of your conveyor / transverse section element.



If not separately listed, then the same information applies to the transverse section component as for the conveyor described below.

## 2.1 Short description

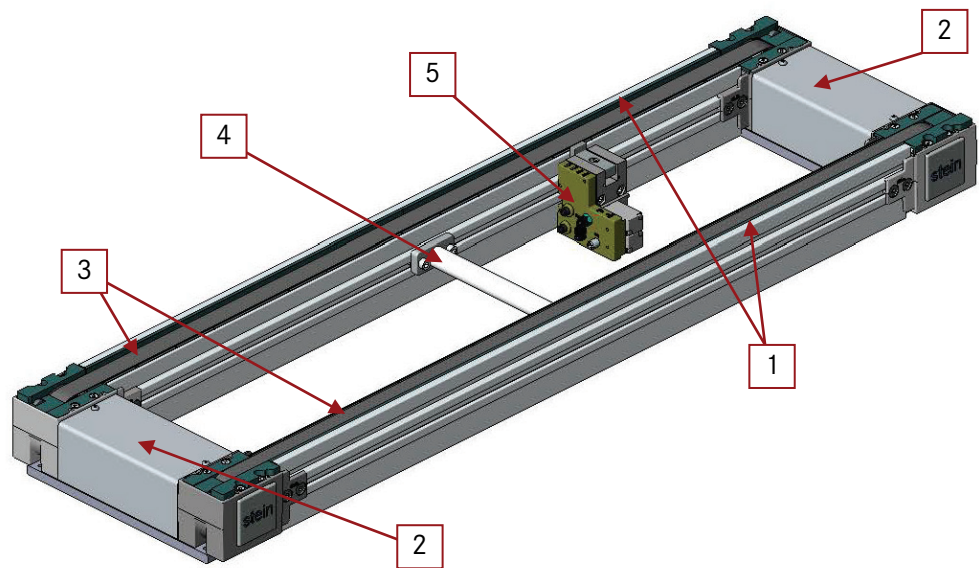
Conveyors are used to construct transport sections to allow workpiece carriers (WTs) to be moved over them.

To stop and separate the WT, stopper parts supplied by Stein Automation (e.g. stopper (6), optional) can be fitted to the section.

Conveyors can be supplied with different drive motors, please see “STEIN300 Drive Motors”.

Fig. 2-1:  
Conveyor

- 0** Guide profiles (2x)
- 1** Drive fittings (2x)
- 2** Transport belts (2x)
- 3** Spacers (1 Án)
- 4** Stopper (optional)



Conveyors can also be employed for special purposes as independent components, e.g. for machine feeder units.

Conveyor models:

Article no.		Model
901 000 001		Conveyor with rollers – BE – JRO every cassette with roller
937 001 001		Conveyor – BE – RO/KL with roller and blank cassette in alternation UB >280
937 002 001		Conveyor – BE – GL with slide rails
904 000 001		Conveyor with open pulley system with rollers– BEO – JRO every cassette with roller
937 024 001		Conveyor with open pulley system – BEO – RO/KL with roller and blank cassette in alternation UB >280
937 025 001		Conveyor with open pulley system – BEO – GL with slide rails
906 000 001		Process conveyor with rollers – PrBE – RO every cassette with roller



937 008 001		<p>Process conveyor – PrBE – RO/KL with roller and blank cassette in alternation UB &gt;280</p>
907 000 001		<p>Process conveyor – PrBE – GL with slide rails</p>
921 037 001		<p>Half-element with rollers – HE – JRO R right, 2 casings, every cassette with roller</p>
926 000 001		<p>Half-element – HE – RO/KL R right, 2 casings with roller and blank cassette in alternation UB &gt;280</p>
924 000 001		<p>Half-element – HE – GL R right, 2 casings with slide rail</p>
921 040 001		<p>Half-element with rollers – HEPr – JRO R right, casing and process conveyor end every cassette with roller</p>
929 000 001		<p>Half-element – HEPr – RO/KL R right, casing and process conveyor end with rollers and blank cassette in alternation UB &gt;280</p>
927 000 001		<p>Half-element – HEPr – GL R right, casing and process conveyor end with slide rail</p>

921 038 001		Half-element with rollers – HE – JRO L left, 2 casings, every cassette with roller
932 000 001		Half-element – HE – RO/KL L left, 2 casings with rollers and blank cassette in alternation UB >280
930 000 001		Half-element – HE – GL L left, 2 casings with slide rail
921 039 001		Half-element with rollers – HEPr – JRO L left, casing and process conveyor end every cassette with roller
935 000 001		Half-element – HEPr – RO/KL L left, casing and process conveyor end with rollers and blank cassette in alternation UB >280
933 000 001		Half-element – HEPr – GL L right, casing and process conveyor end with slide rail

## 2.2 Initial inspection

The conveyor is transported secured on a wooden pallet.

- Unpack all the components supplied.



### Environmental protection

Dispose of all packaging material in an environmentally responsible way.

Then carry out an initial inspection.

Check that:

- the delivery is complete in accordance with the enclosed delivery note
- components have not been damaged or lost in transit.

## 2.3 Complaints

In order for claims for damages caused in transit to be accepted, follow this procedure:

- Inform the freight company.
- Draw up a damage report giving the following details
  - Name and address of recipient
  - Item or order number
  - A description of the damage.
- Send components, if possible in their original packaging, with the damage report, back to the manufacturer.

## 2.4 Warranty

We guarantee the conveyor and its spare parts for a warranty term as prescribed by law or for the warranty period set out in the supply agreement commencing from the date of delivery.

During this warranty period we will replace any components defective in manufacture or materials free of charge.

STEIN Automation's general warranty conditions also apply.

### 3 Safety information

#### 3.1 General safety information

- Conveyors from STEIN Automation are high quality products, manufactured to recognised technical specifications.  
The conveyors left the manufacturing plant in a perfectly safe technical condition.
- All models of the conveyors comply with the requirements of UVV, the German accident prevention regulations.
- To maintain this situation, installation staff, users and service technicians must observe the notices and warnings contained in these operating instructions.
- Conveyors must only be installed and repaired by authorised personnel who have been trained by STEIN Automation.
- Only genuine spare parts from STEIN Automation may be used when carrying out repairs to the conveyors!

#### 3.2 Appropriate use and liability exclusions

The conveyors should only

- be installed as independent components or
- be built into STEIN 300 conveyor systems.  
Compatibility is only assured with STEIN 300 conveyor modules.
- be used for suitable WTs with the permitted dimensions and weights,
- be operated indoors,
- be operated in dry areas,
- be used in areas where there is no risk of explosion,
- be operated in an environment that is free of oil and shavings.



**DANGER**

**The conveyors may not, under any circumstances whatsoever, be operated in explosive or flammable environments.**

**No explosive goods, hazardous substances or damaged workpiece carriers may be transported.**

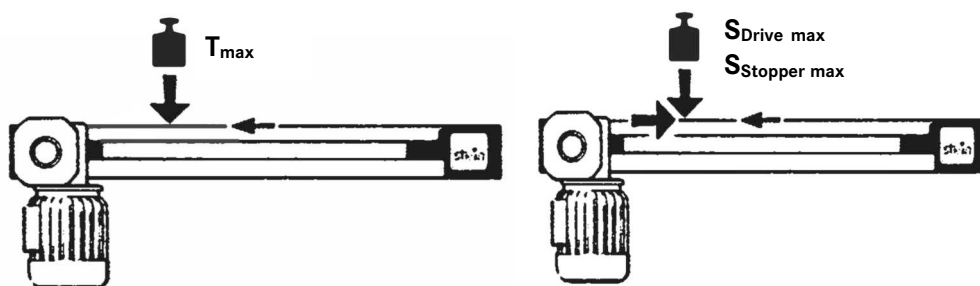


Fig. 3-1:  
Conveyor  
- Maximum  
loads

Maximum loads:

- Transport load  $T_{max}=400$  N
- Stop and start-up load  $S_{Drive\ max}=300$  N
- Queued load  $S_{Stopper\ max}=250$  N (as per UVV)

**i**

Unauthorised interventions, alterations or repairs carried out to the conveyors invalidate the warranty.

STEIN Automation accepts no liability for any damage caused by unauthorised interventions, alterations or repairs.



**CAUTION**

**CAUTION! Crushing hazard!**

**If the max. queued load is exceeded, the operator must cover any potential crushing points with protective guards.**

**i**

The loads apply for a belt speed of approx. 19 m/min and a gear ratio of  $i=30$ .

**i**

The stated loads relate to a conveyor with a load of one or more workpiece carriers.

### 3.2.1 Foreseeable misuse



**DANGER**

**It is prohibited**

- **to transport products or workpieces with the transfer centring device other than those approved.**
- **to transport parts without workpiece carriers**

**This can lead to unforeseeable operating conditions and related dangers.**

The transfer centring devices may not be used

- in queue mode,
- to stop workpiece carriers,
- to separate workpiece carriers

**i**

STEIN Automation accepts no liability for damages that might arise due to misuse of the system.

### 3.3 Residual danger

The conveyors are manufactured using state-of-the-art technology and to recognised safety standards. Nevertheless their use can lead to dangerous situations for users or third parties or to impairments of the system and other material assets.

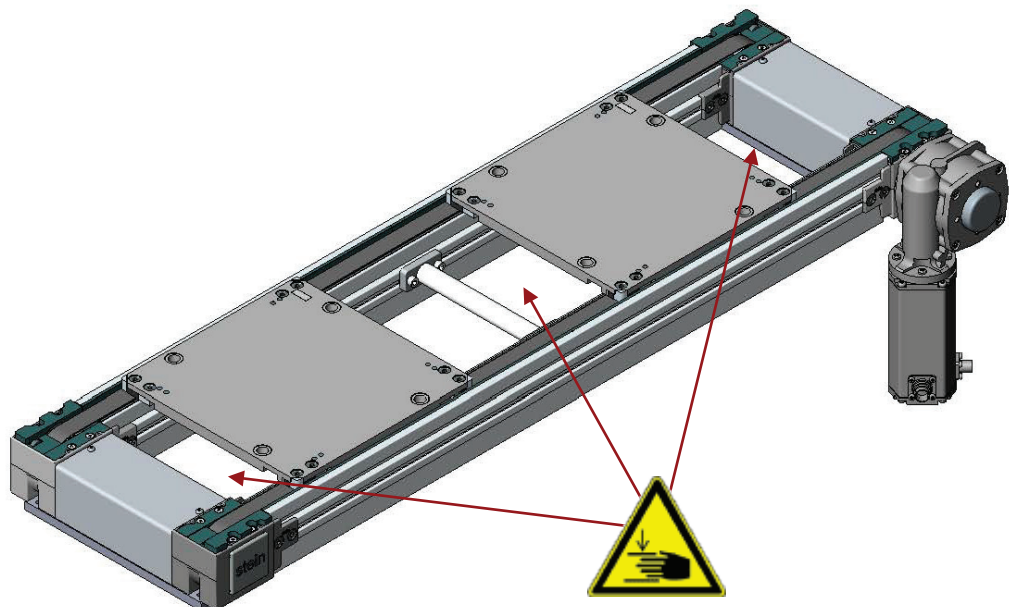


CAUTION

**During the transport of WTs and products, the following injuries can result:**

- Risk of crushing due to jamming between the WTs and the drive fitting,
- Risk of crushing due to jamming between the WTs and the spacer,
- Risk of crushing due to jamming between the WTs and the stopper,
- Risk of crushing due to jamming between the WTs,
- Risk of crushing due to being drawn in and clothing being wound around components,
- Risk of crushing due to the characteristics of the product being transported.
- There is a risk of injury due to the characteristics of the product being transported.

Fig. 3-2:  
Possible  
crushing points  
(Example illustration of a  
drive motor)



CAUTION

**Only for the process conveyor version (PrB):**

**There is a risk of being drawn in during manual operation at the open pulley system of the transport belt. For this reason, the process conveyor may only be operated while enclosed by protective guards.**



Using protective guards and stoppers to separate the WTs can reduce the potential residual danger further.

### 3.4 Safety information for installation and repair work



**DANGER**

**Through unexpected start up of the conveyor / transverse section element.**



**DANGER**

**HIGH ELECTRICAL VOLTAGE!**

**Electric shock hazard!**

**Only qualified electricians may connect and work on the electrical equipment!**

Follow the procedure below before starting any maintenance work:

- 1 Before carrying out any installation or repair work, disconnect the relevant BE from its electrical power supply.
- 2 Disconnect the BE from the compressed air supply!
- 3 Put up warning signs to prevent the system being started up while installation and repair work is being done.
- 4 Remove all workpiece carriers from the affected conveyor!
- 5 Carry out the work
  - in accordance with the descriptions in this documentation,
  - complying with relevant safety and accident prevention regulations and
  - in a technically correct manner and with the greatest possible accuracy.
- 6 After completing installation or repair work, carry out a test run of the entire system and check that all the safety equipment is functioning correctly.



**DANGER**

**Never operate the BE if there**

- **is no safety equipment and / or**
- **damaged components / parts!**

## 4 Technical description

### 4.1 Scope of delivery

- The conveyor is supplied with a drive motor.

#### **i**

**The following accessories are not part of the scope of delivery:**

- Control system (STEIN Automation option)
- Stopper and stop parts (STEIN Automation option)
- Protective guards.

**Function:**

The two transport belts move the WT at the specified speed. (The speed depends on the gear ratio.)

#### **i**

The drive motors should preferably be installed in pull mode. (WTs move in the direction of the motor.)

#### **i**

The drive motor can be installed either on the left or the right of the two drive fittings, depending on requirements.

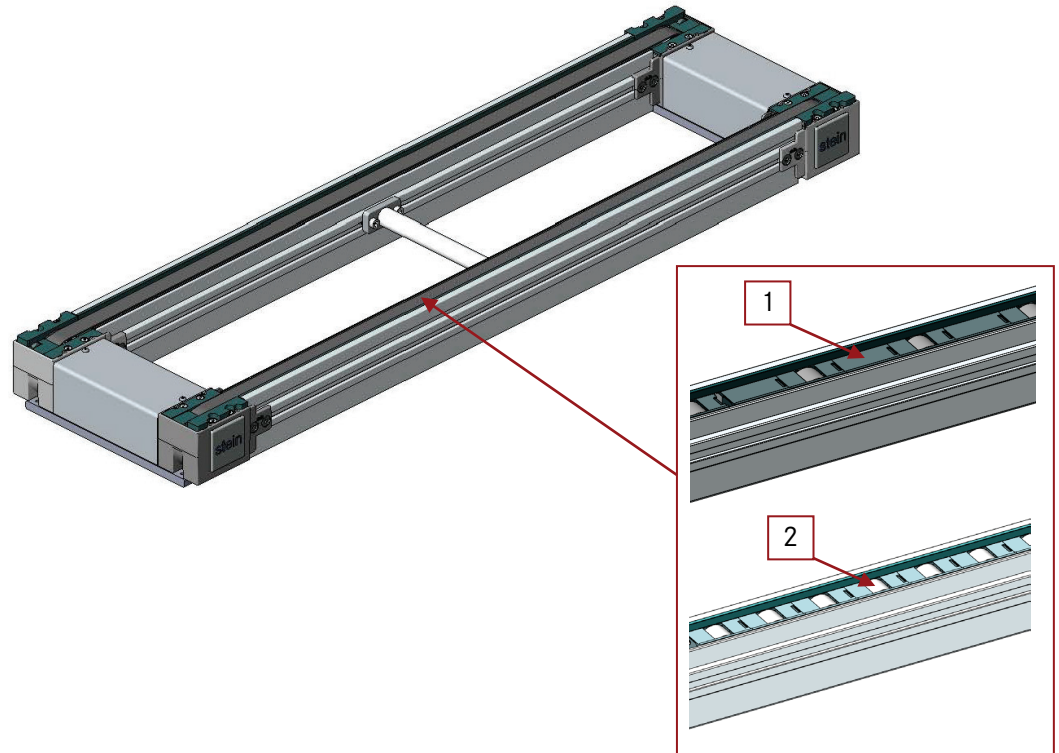


## 4.2 System components

### 4.2.1 Guide profile with rollers

Fig. 4-1:  
Guide profile with rollers

- 1 Closed empty cassette
- 2 Every cassette with roller



The belt runs on rollers. This reduces friction noise through dirt that has penetrated and increases the performance and useful working life of the conveyor.

#### **Roller loading below the conveyor belt:**

##### **Transfer width (UB) = $\geq$ 280mm - Rollers**

For workpiece carriers  $\geq$  280 mm, each cassette is equipped with a roll. This prevents the workpiece carrier from tilting.

##### **Transfer width (UB) = $>$ 280mm - loaded alternately with roller / closed empty cassette**

For workpiece carriers  $>$  280 mm an empty cartridge is fitted between the rollers.

## 4.2.2 Conveyor and transverse section element

Fig. 4-2:  
Conveyor

- 1 Guide profile with rollers or rails (2x)
- 2 Drive fittings (2x)
- 3 Transport belts (2x)
- 4 Spacers (1Án)

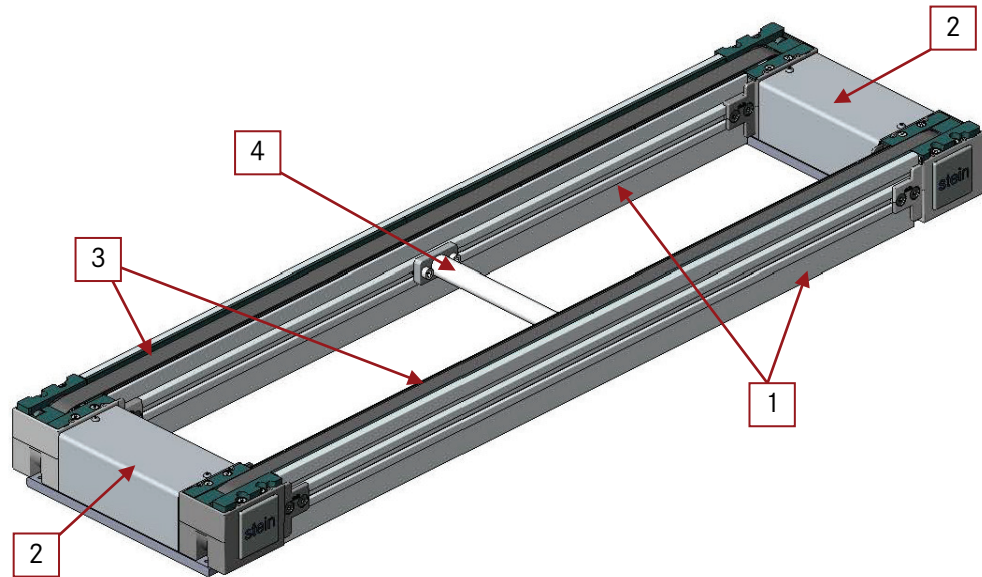
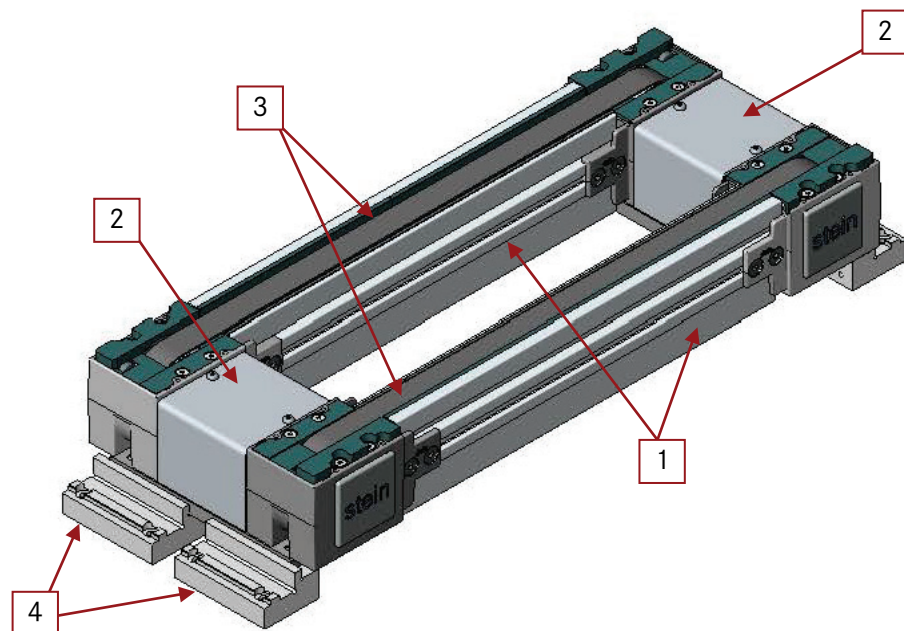


Fig. 4-3:  
Transverse section element

- 1 Guide profile with rollers or rails (2x)
- 2 Drive fittings (2x)
- 3 Transport belts (2x)
- 4 Transverse section brace (4x)
- 5 Spacers (1 to n) (not shown)

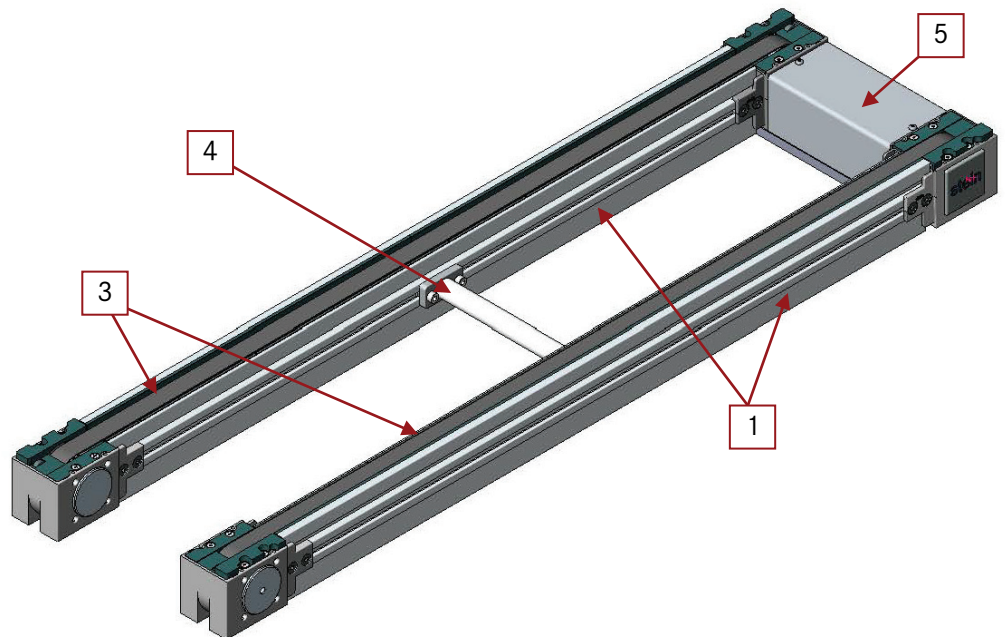


The transverse section element is fitted at a 90° angle to the conveyor.

### 4.2.3 Conveyor with open pulley system

Fig. -4:  
Conveyor with open pulley system

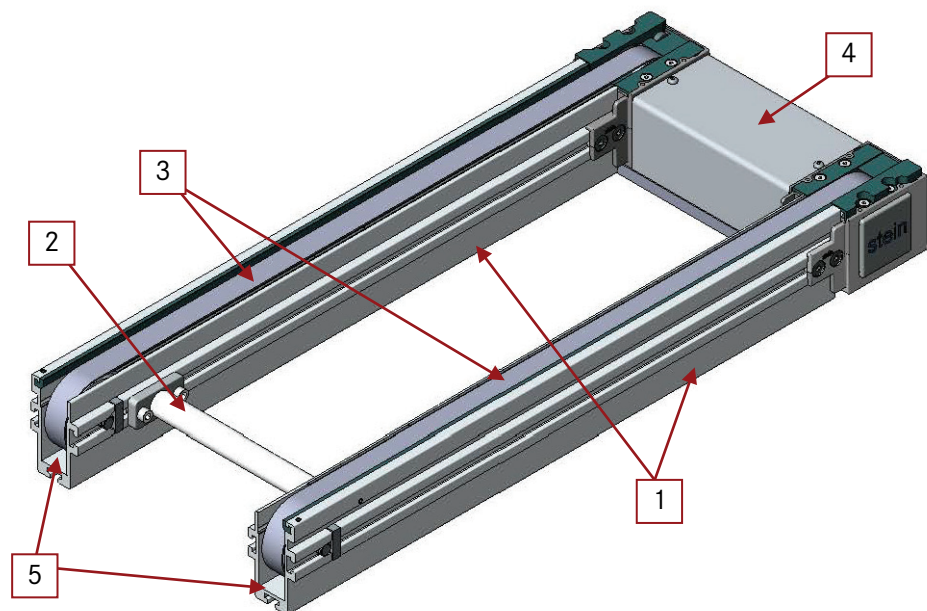
- 1 Guide profile with rollers or slide rail (2x)
- 6 Transport belts (2x)
- 7 Spacers (1Án)
- 8 Drive fitting (1x)



### 4.2.4 Process conveyor

Fig. 4-5:  
Process conveyor

- 1 Guide profile with rollers or rail (2x)
- 9 Spacers (1Án)
- 10 Transport belts (2x)
- 11 Drive fitting (1x)
- 12 Pulley system (2x)



**CAUTION**

#### **DANGER**

**There is a danger of being drawn in at the open pulley system of the transport belt at the process conveyor.**

**For this reason, during manual operation (WT moves away from the motor), the process conveyor may only be operated while enclosed by protective guards.**

## 5 Installing the conveyor

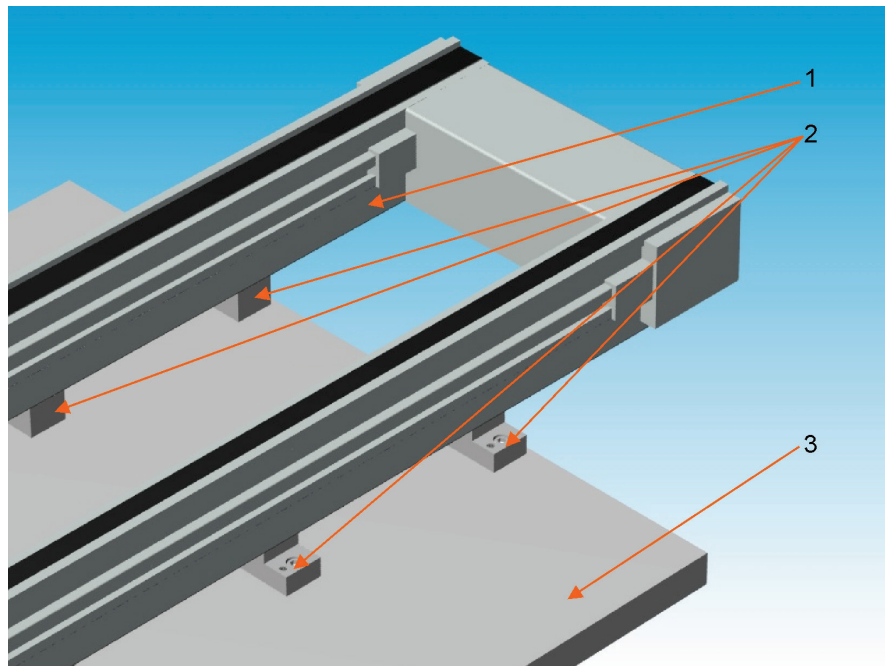
### 5.1 Mounting the conveyor



For information regarding the integration of a BE in a WTS system, please refer to the STEIN300 operating manual.

Fig. 5-1:  
Mounting example

- 1 Guide profile
- 13 Accessories
- 14 Retaining plate



#### WARNING

It is strictly prohibited to make additional bores in the guide profiles! Use the provided fastening groove.



Preferably please always use any additional parts required from the Stein Automation components range.

- Fit the Stein Automation parts.
- Transfer the bore pattern onto the retaining plate.
- Lay the conveyor or transverse section element onto the retaining plate.
- Secure the conveyor or transverse section element against:
  - tipping over,
  - falling off.
- Connect the parts to the retaining plate.
- Tighten the screws.



Please see the stand / double column stand operating manual for fitting the conveyor to the stand.

For the stand installation and other dimensions, please see the stand / double column stand operating manual.

## 5.2 Number of column bases required

Length of conveyor	Weight / load	Number of additional column bases
1000mm – 2000mm	/ See Chapter 13.1	No additional column bases required
From 2000mm	From a load of approx. 15kg per WT	One additional column base required



Special configurations (length / weight) require a focused discussion with the technical consultants at Stein.

## 5.3 Connection to the mains supply



**DANGER**

### **HIGH ELECTRICAL VOLTAGE!**

**Electric shock hazard!**

**Only qualified electricians may connect the system to the mains supply!**

**Be sure to use only approved plug-in systems when connecting to the power supply.**

**Please contact STEIN Automation if you have any questions.**



**CAUTION!**

**An EMERGENCY STOP button must be fitted after a maximum of 20m of belt system length!**

## 5.4 Installation of safety equipment (optional)



**CAUTION**

### **Crushing hazard!**

**The system owner is obligated to eliminate the hazards due to queued workpiece carriers or due to the product contours of workpieces that are transported.**

**The required distance between the WTs can be maintained and pile-ups can be prevented with WTS stoppers.**

## 5.5 Installation of the stop fittings



Further information on installing the stop fittings can be found in the operating manual *Stop fittings*.

## 6 Initial operation

Carry out the following checks before initial operation:

- Ensure that all electrical cables and pneumatic lines and hoses are correctly connected.
- Ensure that all the electric and pneumatic leads and hoses are correctly connected.
- Have all the mechanical components been tightly fastened in place?
- Have all tools and other equipment been cleared from the transport area?
- Has all safety equipment been installed and is it working correctly?

Once you have carried out all these checks, you can continue with the initial operation.

- Switch on the Transport System and its associated processing stations and carry out a trial run.
- Check the functions of the individual elements and processing stations as well as the proper (programmed) interaction of the complete system.
- Check that the safety equipment is functioning correctly!

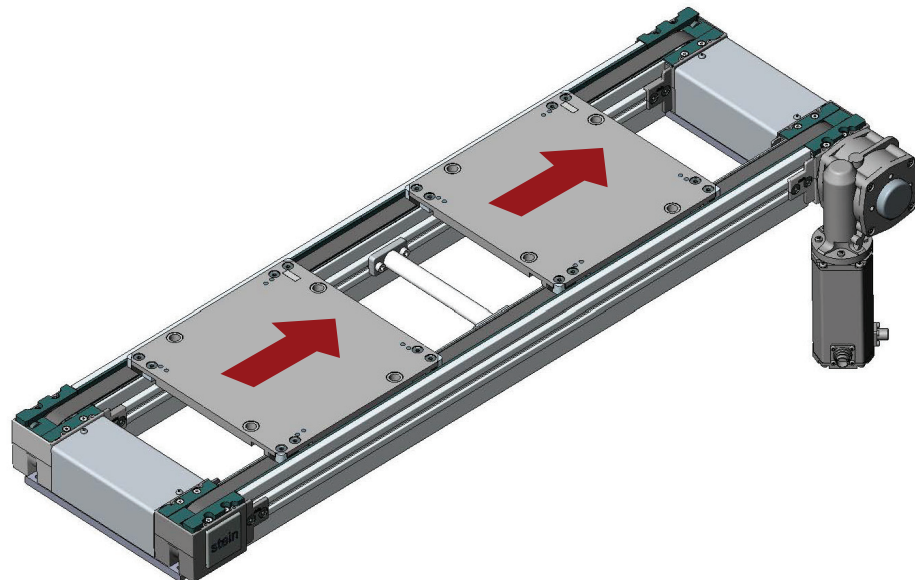


**WARNING**

**Only start the Transport System once you have carried out a successful trial run!**

## 7 Operation of the the conveyor

Fig. 7-1:  
Conveyor  
(Example illustration of a  
drive motor)



In normal operation the conveyor is controlled by the STEIN WTS control system.



**WARNING**

**For this reason, the process conveyor may only be operated while enclosed by protective guards.**

## 8 Faults



**WARNING**

When faults, malfunctions or damage affecting safety occur, immediately push the **EMERGENCY STOP/OFF** button to switch the BE off.

Have the cause of the malfunction identified and the problem fixed by trained personnel.



**ATTENTION**

It is not permitted to repair damaged and / or defective parts.

In this case, please contact STEIN Automation.

The service address can be found on page 2.

### 8.1 Troubleshooting problems

Problem	Cause	Solution
No power	Power supply cut.	Restore power supply.
Variable power supply	Uneven power supply voltage.	Ensure power supply voltage is constant.
Popping noises in the drive fittings	The clamp of the drive wheel is disengaged.	Tighten the set screws in the drive wheels
Squealing noises from the motor	<ul style="list-style-type: none"> <li>The mounted drive star is dry.</li> <li>Drive star is worn.</li> </ul>	Dismount the drive star, clean and lightly grease. Replace drive star.
Loud squealing on the transport belts.	Transport belts worn or damaged.	Replace the transport belts. Use CARBAFLO cleaning agents.



**WARNING**

**Only allow the conveyor to be used after you have performed a successful trial run.**



In the event of faults, a message will be displayed on the allocated slave e.g. E60.

A list of fault messages can be found in Appendix 6-1 of the system documentation of the Workpiece Transport System and in the system documentation in the main control cabinet.

## 9 Cleaning, inspection, maintenance

### 9.1 Cleaning

The conveyor gets dirty depending on the ambient conditions of the transport system.

Clean the conveyor regularly! How frequently this is done will depend on how dirty it gets.

STEIN Automation recommends cleaning the conveyor once a week.



The conveyor does not need to be dismantled for cleaning!



**DANGER**

Due to unexpected start up of the conveyor.



**DANGER**

#### **HIGH ELECTRICAL VOLTAGE!**

**Electric shock hazard!**

- 1 Before carrying out any installation or repair work, disconnect the relevant Workpiece Transport System from its electrical power supply.
- 2 Put up warning signs to prevent the system being started up while installation and repair work is being done.
- 3 Remove any workpiece carriers located on the affected conveyor.



#### **Protective clothing must be worn!**

When cleaning, wear goggles, safety gloves and a dust mask.

Only use a vacuum cleaner to remove dust, shavings and other particles.

- Remove dust, shavings and other particles with a vacuum cleaner.



**WARNING**

When cleaning, do not use any harsh, combustible or scouring cleaning fluids / cleaning materials.

Avoid fluid getting into the components of the system or of the processing stations!



STEIN Automation recommends the industrial cleaner by Würth, Article no.: 893140 or Arecal Clean by RECA Norm, Article no.: 0895014500.

- When mounting for the first time lightly grease the drive star with Metalon HAT-1,5 DIN 1283.



- Clean the top and bottom of the belts, the rails, drives and steering rollers of all dirt and lubricants.
- Clean the surfaces with a soft, lint free cloth, lightly dampened with cleaning fluid.



**Environmental protection**

Dispose of waste material and used cleaning cloths in an environmentally responsible way.

**9.2 Inspection**

Interval	Component	Inspection criterion	Solution
Annually	Motor plug	Stable connections	Tightly fit push connectors - see chapter 5.4
	Conveyor overall	Play, functional accuracy	Re-tighten loose screw connections
		Signs of wear	Replace worn transport belts



The inspection interval should be modified according to the type and amount of usage!

**9.3 Maintenance**

The conveyors do not require maintenance.

## 10 Dimension sheet

Fig. 10-1:  
Dimension sheet  
Conveyor /  
transverse section ele-  
ment

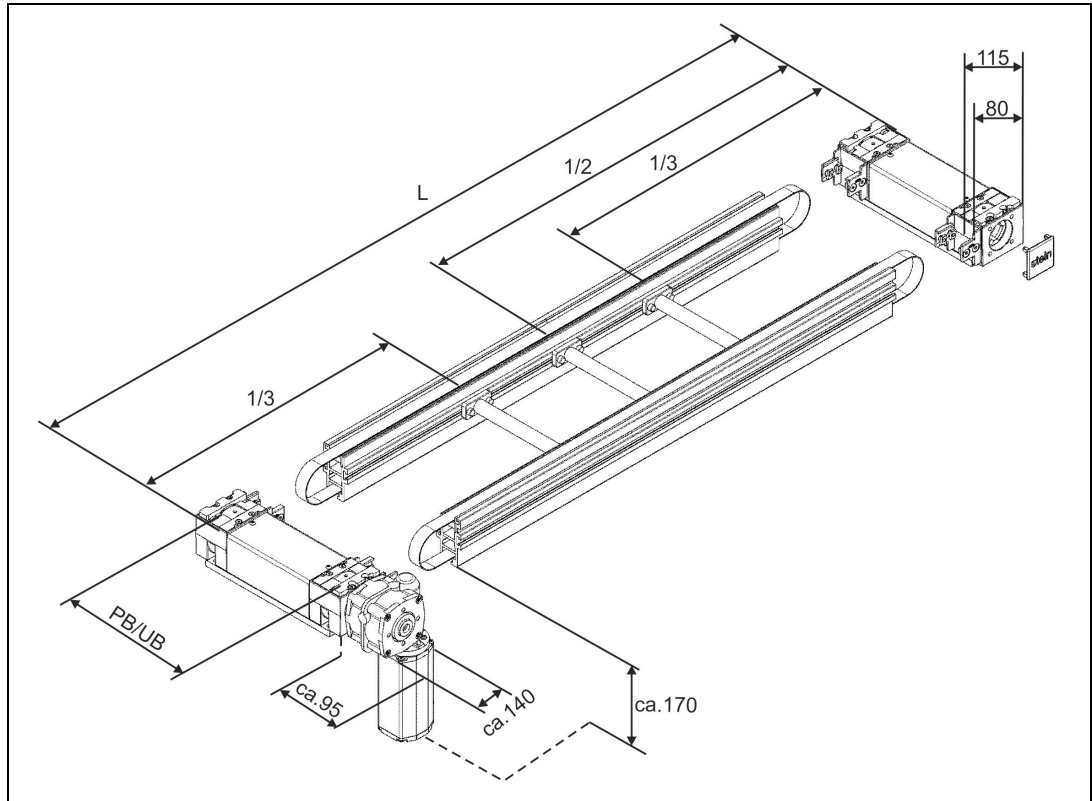
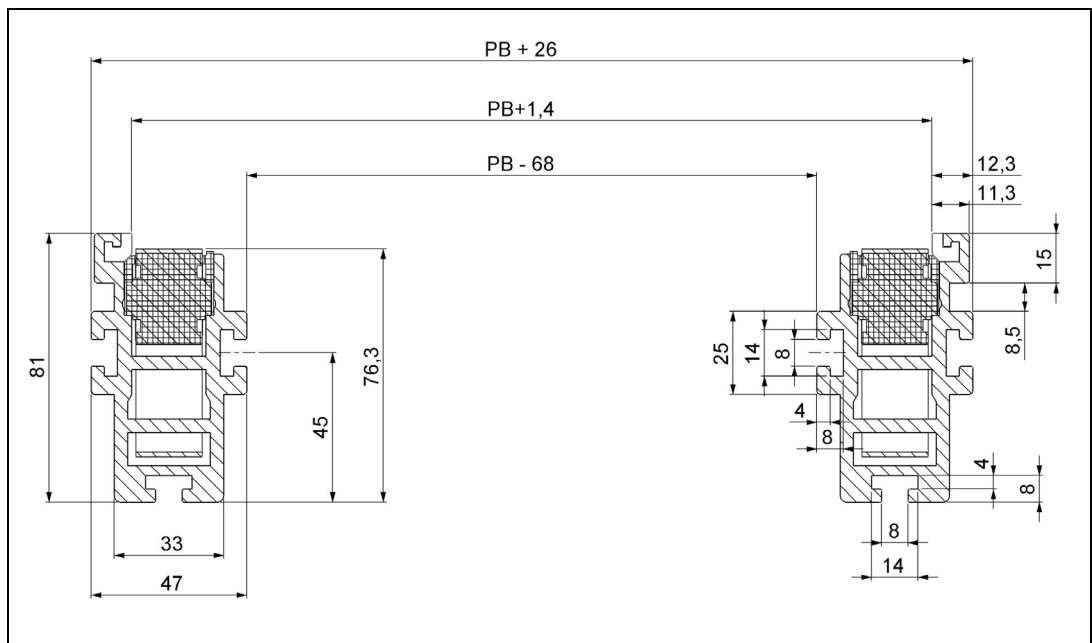


Fig. 10-2:  
Cross section drawing

Dimensions in brackets  
apply for PB = 240



In combination with the Stein radius circuit the belt sections must be milled off prior to installation. Also see *STEIN300 Radius Circuit*.

The model shown may deviate slightly in its details.

## 11 Conveyor models

### 11.1 901 000 001 Conveyor with rollers

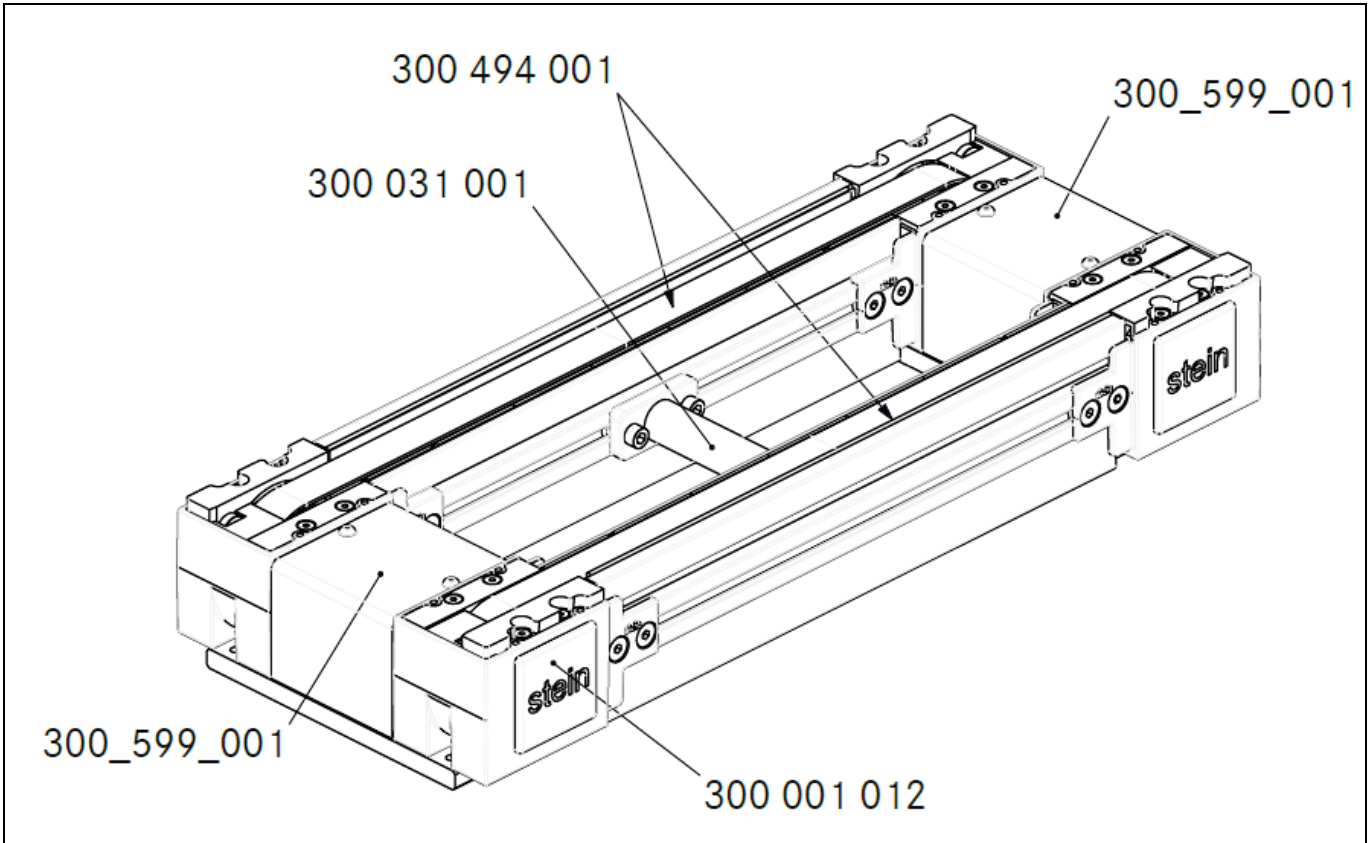

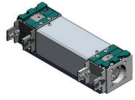




Fig. 11-1: Conveyor with rollers (every cassette with roller) – BE-JRO

	Order number	Description	Quantity
	300 494 001	<b>Belt profile with roller (every cassette with roller)</b>	2
	300 599 001	<b>Drive fitting</b>	2
	300 001 012	<b>Cap</b>	3
	300 031 001	<b>Spacers</b>	Depending on length

## 11.2 937 001 001 Conveyor with roller and blank cassette

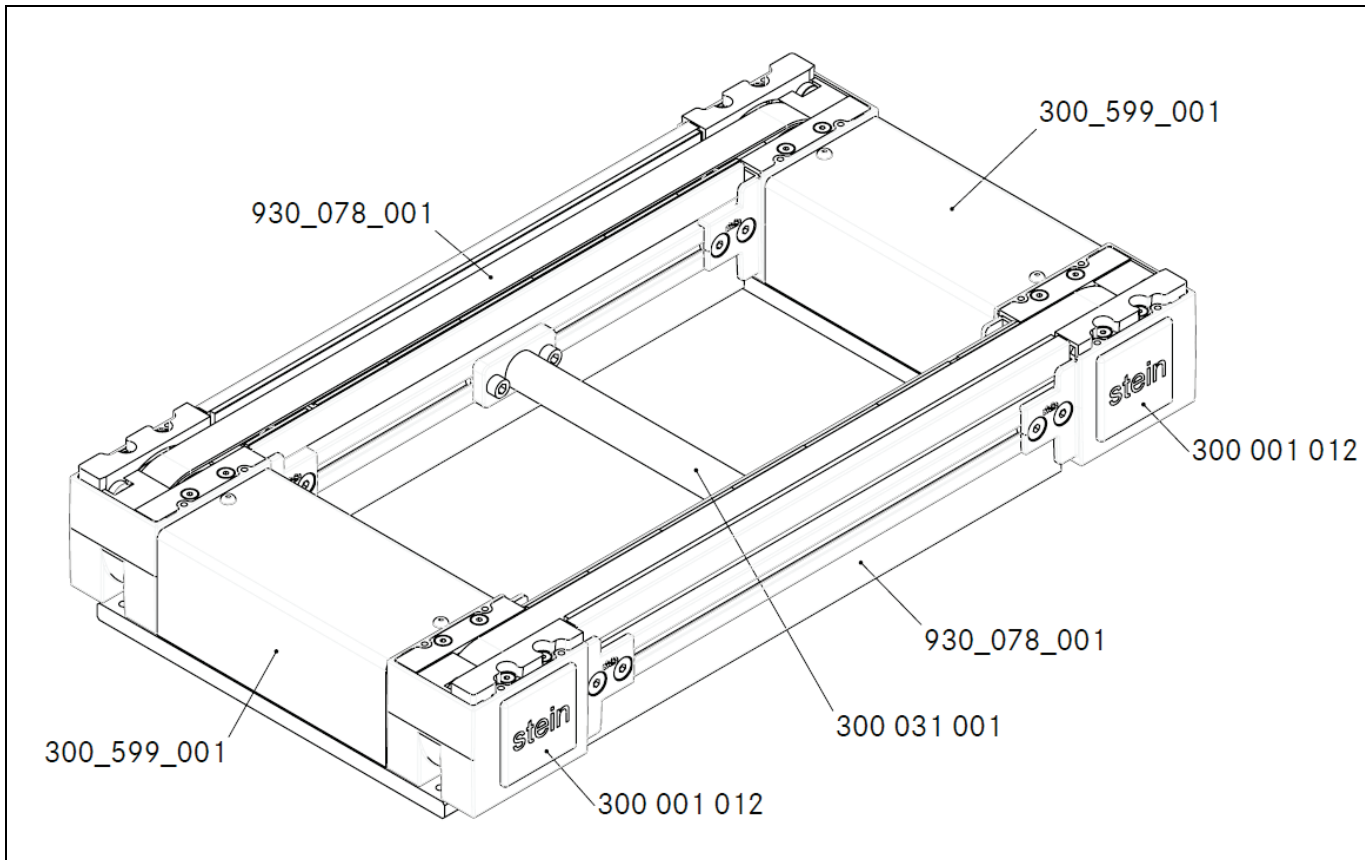

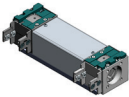




Fig. 11-2: Conveyor with roller and blank cassette in alternation UB>280 – BE-RO/KL

	Order number	Description	Quantity
	930 078 001	<b>Belt profile roller and blank cassette in alternation</b>	2
	300 599 001	<b>Drive fitting</b>	2
	300 001 012	<b>Cap</b>	3
	300 031 001	<b>Spacers</b>	Depending on length

### 11.3 937 002 001 Conveyor with slide rails

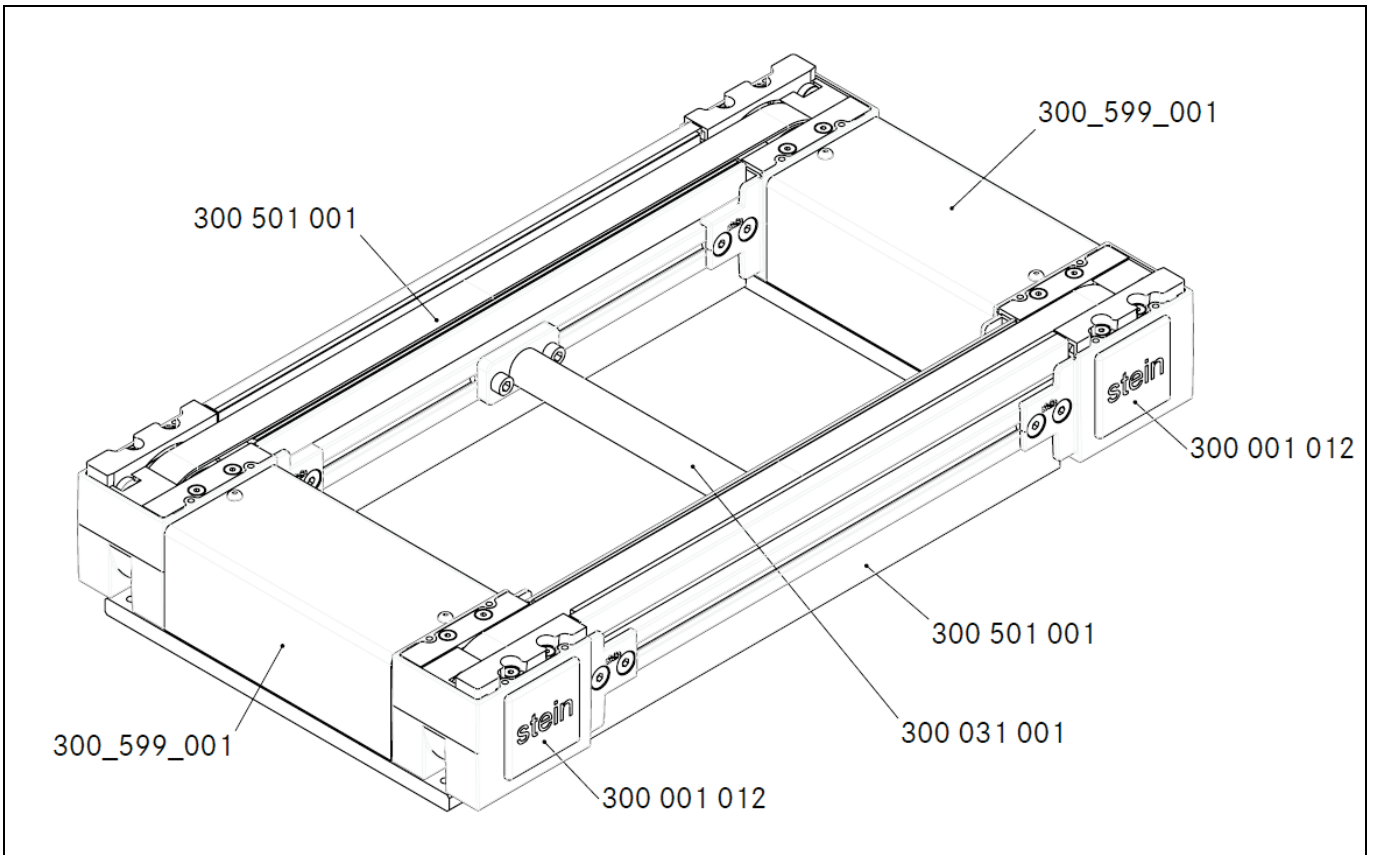
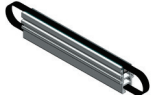
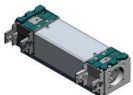




Fig. 11-3: Conveyor with slide rails – BE GL

	Order number	Description	Quantity
	300 501 001	<b>Belt profile with slide rail</b>	2
	300 599 001	<b>Drive fitting</b>	2
	300 001 012	<b>Cap</b>	3
	300 031 001	<b>Spacers</b>	Depending on length

## 11.4 904 000 001 Conveyor open pulley system with rollers

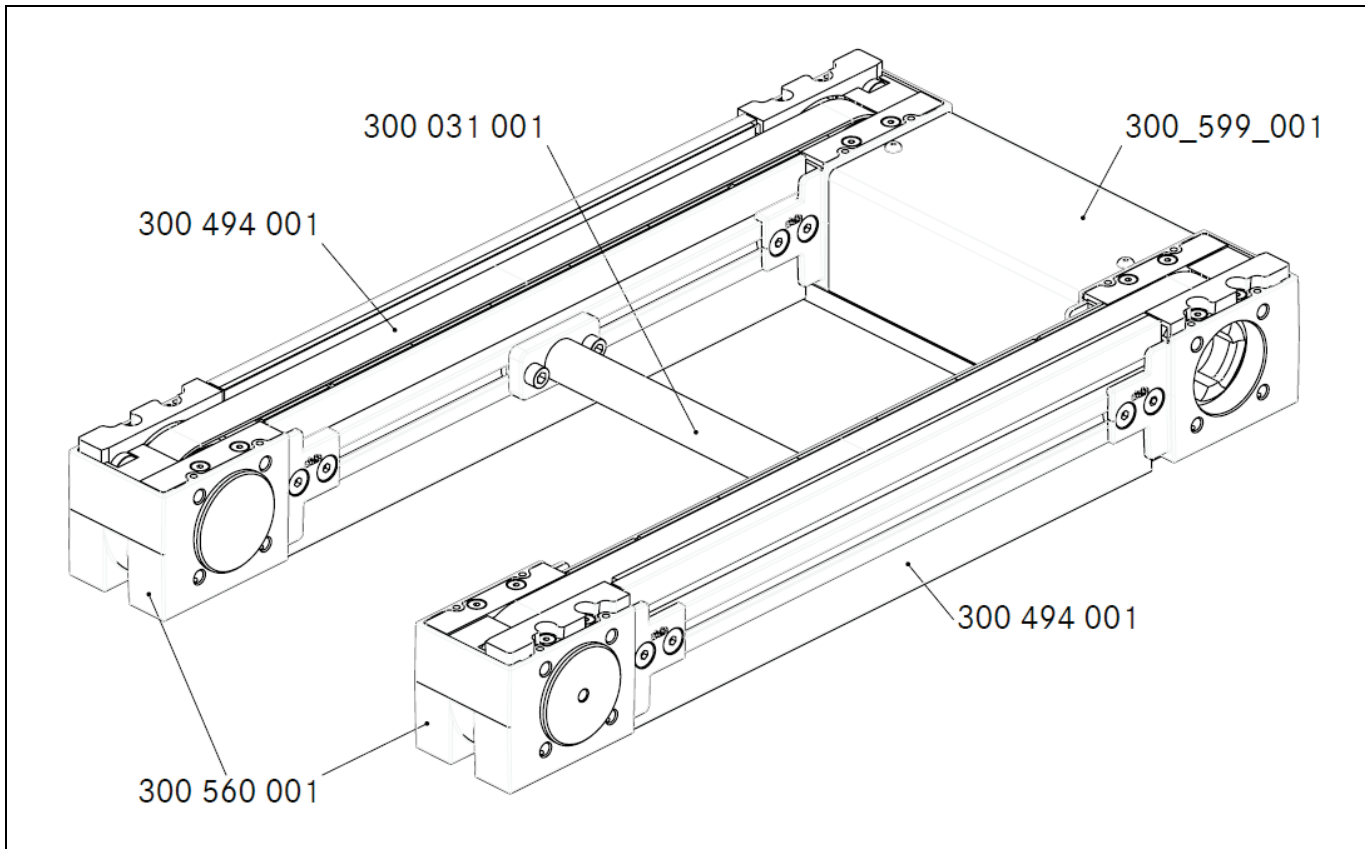

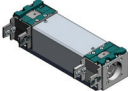
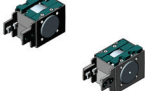




Fig. 11-4: Conveyor open pulley system with rollers (every cassette with roller) – BEO-JRO

	Order number	Description	Quantity
	300 494 001	<b>Belt profile with rollers (every cassette with roller)</b>	2
	300 599 001	<b>Drive fitting</b>	1
	300 560 001	<b>Drive fitting open</b>	1
	300 001 012	<b>Cap</b>	1
	300 031 001	<b>Spacers</b>	Depending on length

### 11.5 937 024 001 Conveyor open pulley system with roller and blank cassette

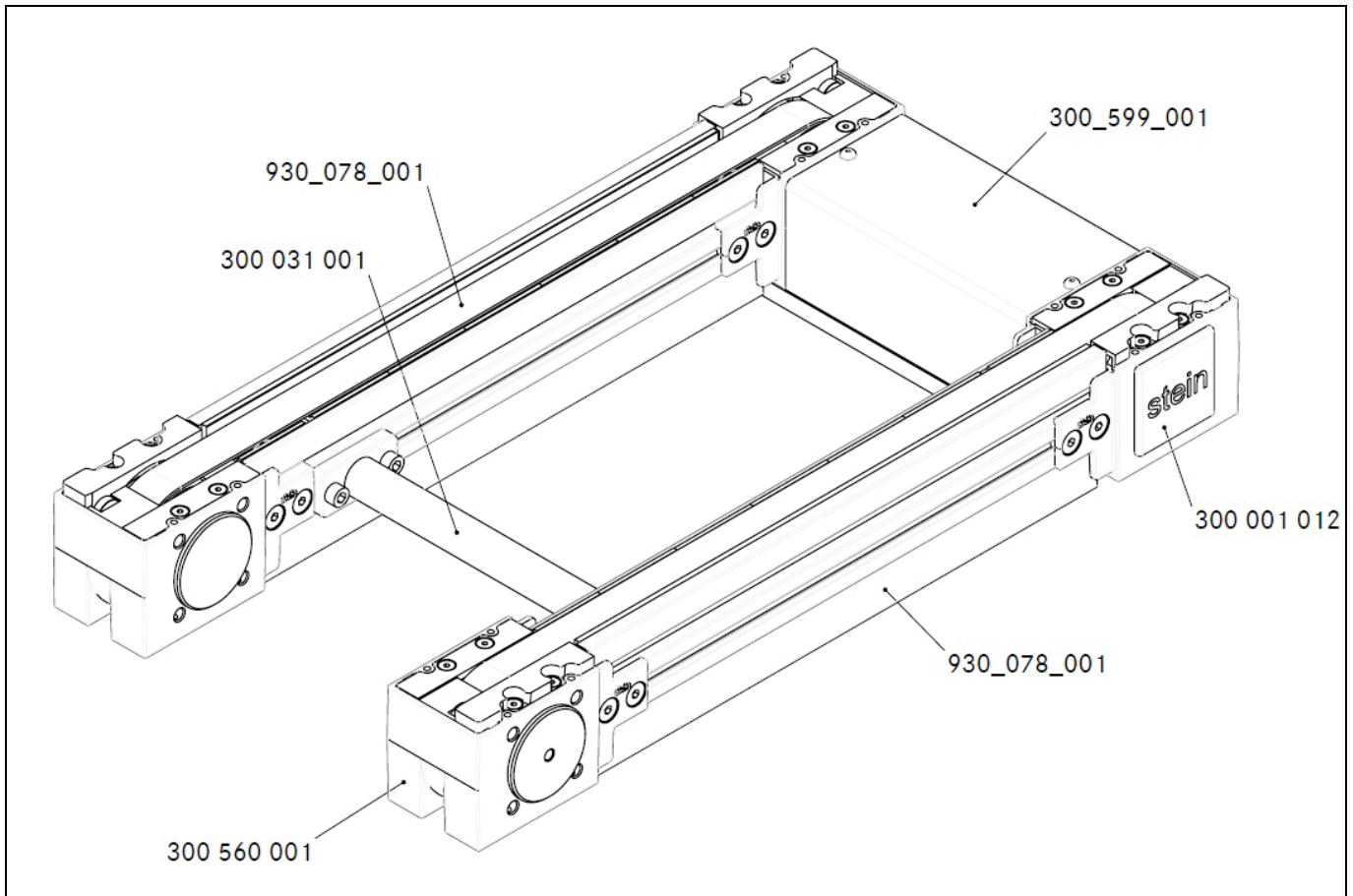
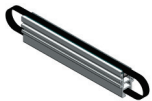
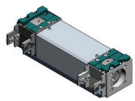
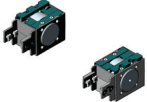




Fig. 11-5: Conveyor open pulley system with roller and blank cassette in alternation UB >280 - BEO-RO/KL

	Order number	Description	Quantity
	930 078 001	<b>Belt profile roller and blank cassette in alternation</b>	2
	300 599 001	<b>Drive fitting</b>	1
	300 560 001	<b>Drive fitting open</b>	1
	300 001 012	<b>Cap</b>	1
	300 031 001	<b>Spacers</b>	Depending on length

## 11.6 937 025 001 Conveyor open pulley system with slide rails

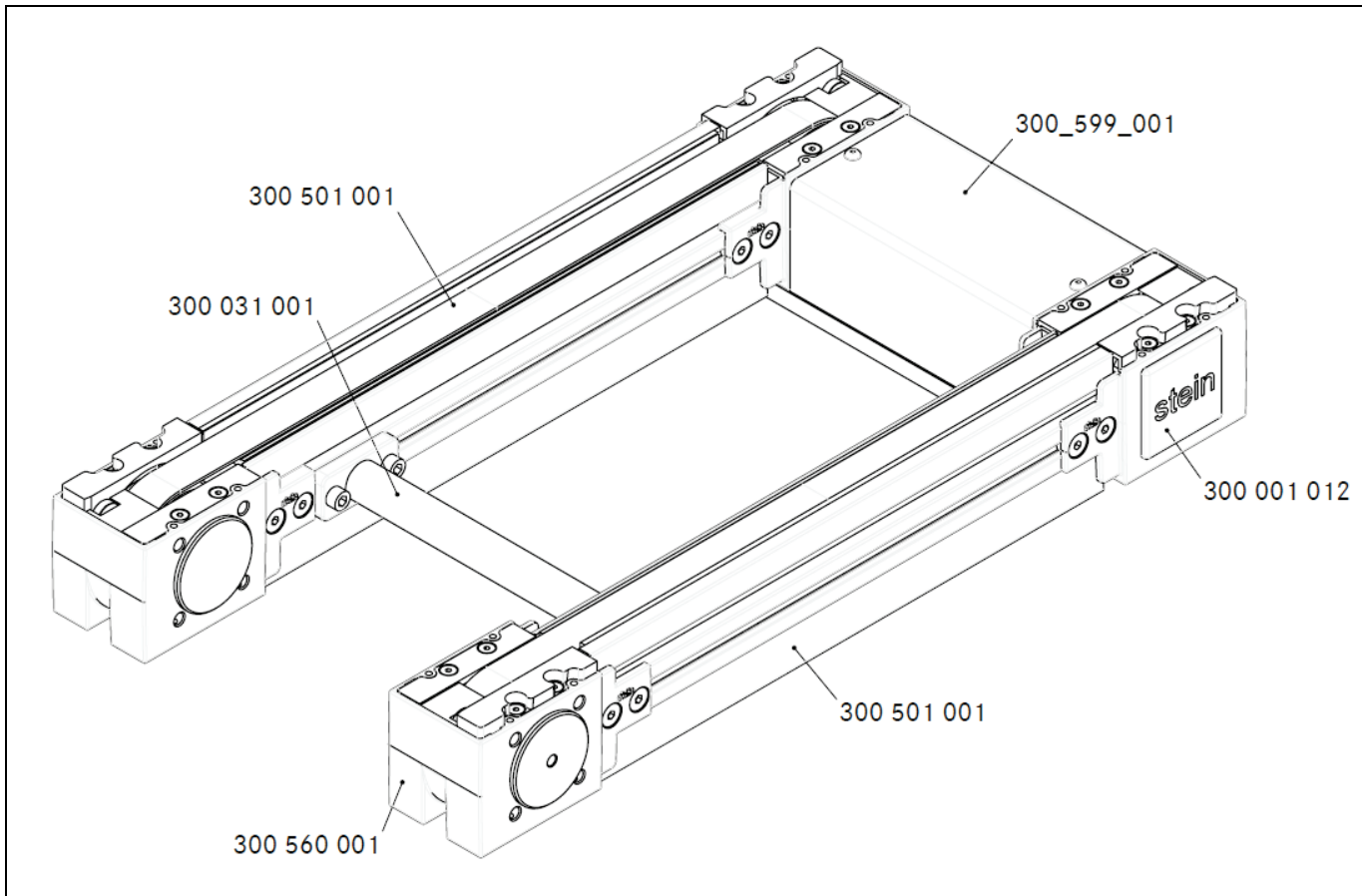

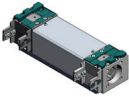
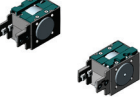




Fig. 11-6: Conveyor open pulley system with slide rails – BEO-GL

	Order number	Description	Quantity
	300 501 001	<b>Belt profile with slide rail</b>	2
	300 599 001	<b>Drive fitting</b>	1
	300 560 001	<b>Drive fitting open</b>	1
	300 001 012	<b>Cap</b>	1
	300 031 001	<b>Spacers</b>	Depending on length



## 11.7 906 001 001 Process conveyor with rollers

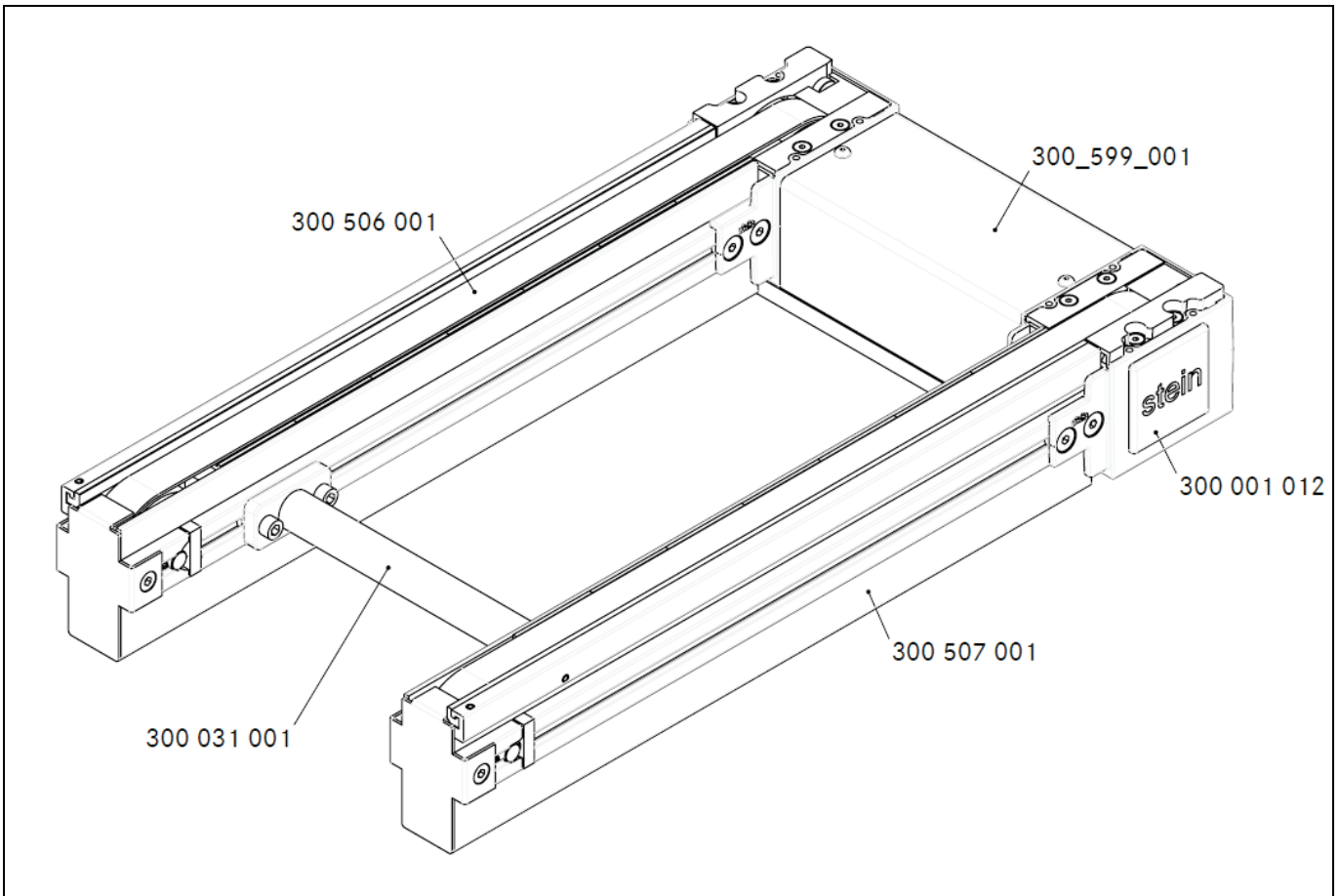
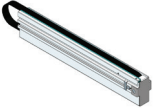
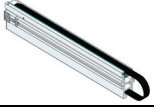
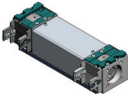




Fig. 11-7: Process conveyor with rollers (every cassette with roller) – PrBE-JRO

	Order number	Description	Quantity
	300 506 001	<b>Belt profile, left</b> (every cassette with roller)	1
	300 507 001	<b>Belt profile, right</b> (every cassette with roller)	1
	300 599 001	<b>Drive fitting</b>	1
	300 001 012	<b>Cap</b>	1
	300 031 001	<b>Spacers</b>	Depending on length

### 11.8 937 008 001 Process conveyor with roller and blank cassette

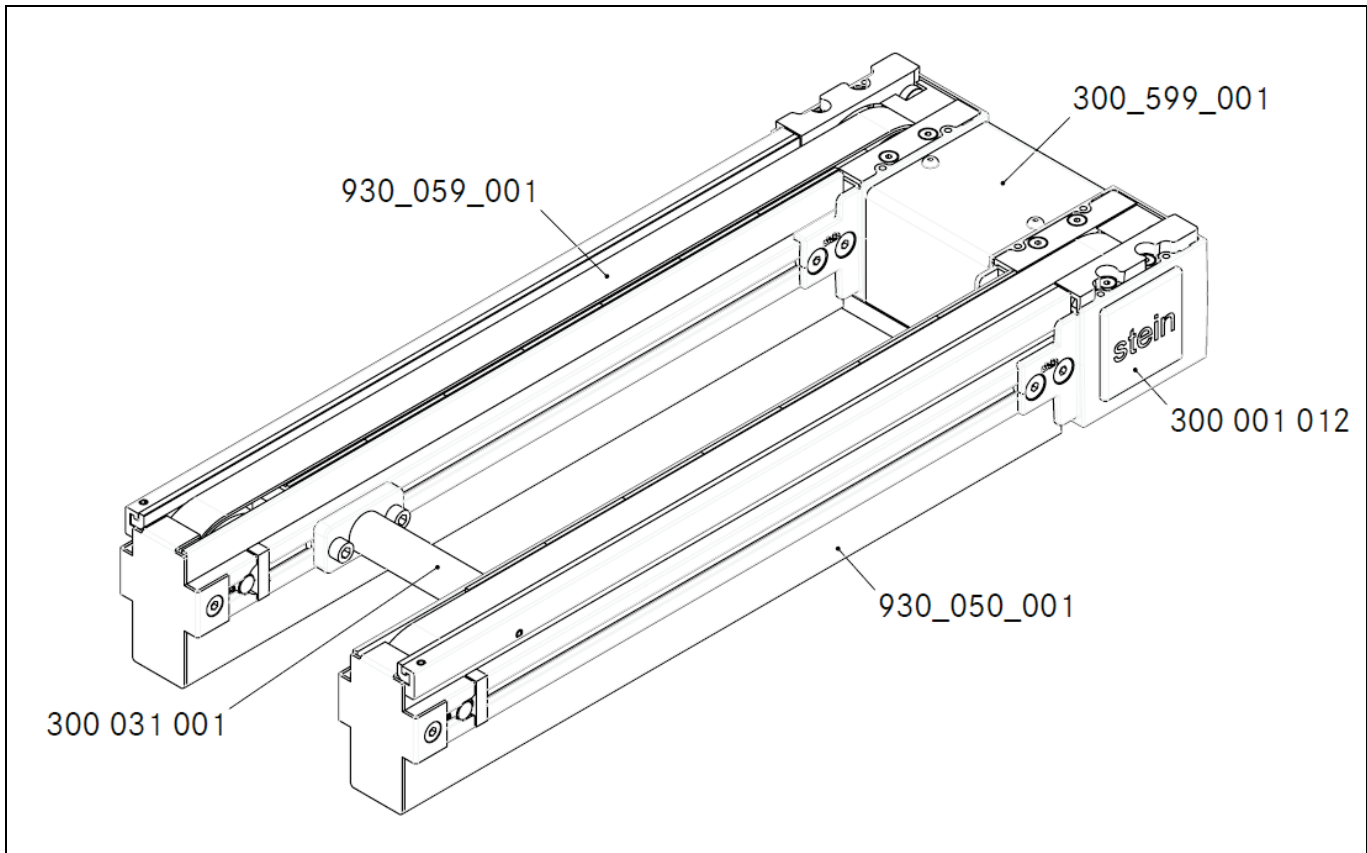
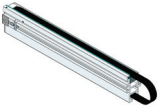
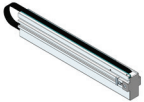
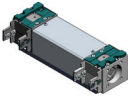




Fig. 11-8: Process conveyor with roller and blank cassette in alternation UB >280mm – PrBE-RO/KL

	Order number	Description	Quantity
	930 050 001	Process conveyor profile, right, with roller and blank cassette in alternation	1
	930 059 001	Process conveyor profile, left, with roller and blank cassette in alternation	1
	300 599 001	Drive fitting	1
	300 001 012	Cap	1
	300 031 001	Spacers	Depending on length

### 11.9 907 001 001 Process conveyor with slide rails

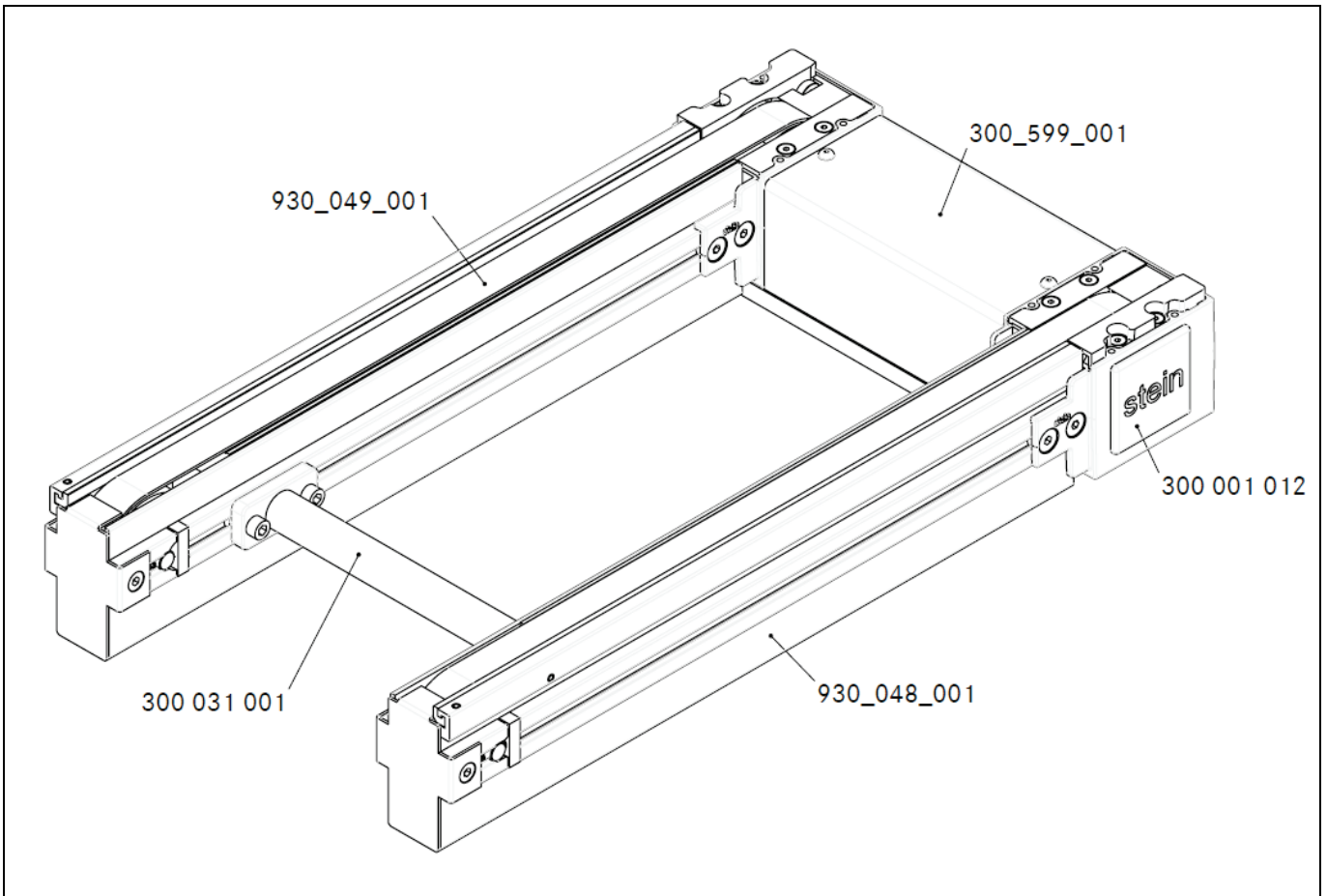
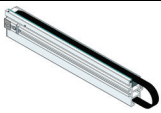
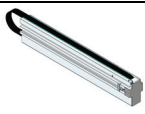
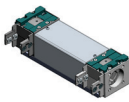




Fig. 11-9: Process conveyor with slide rails – PrBE-GL

	Order number	Description	Quantity
	930 048 001	<b>Process conveyor profile, right, with slide rail</b>	1
	930 049 001	<b>Process conveyor profile, left, with slide rail</b>	1
	300 599 001	<b>Drive fitting</b>	1
	300 001 012	<b>Cap</b>	1
	300 031 001	<b>Spacers</b>	Depending on length

### 11.10 921 037 001 Half-element, right, with rollers

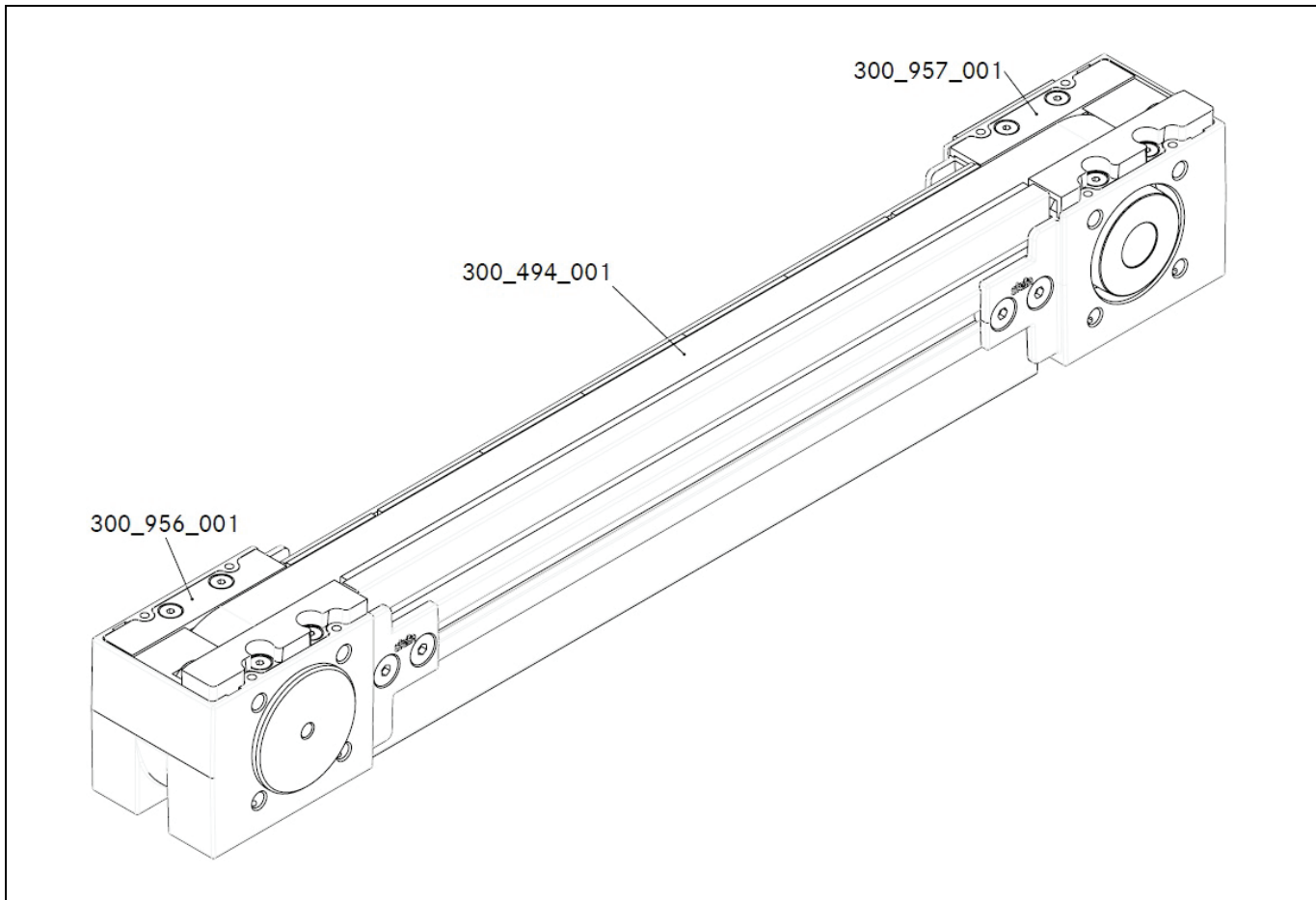

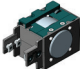
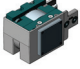


Fig. 11-10: Half-element right with rollers, 2 casings (every cassette with roller) – HE-JRO R

	Order number	Description	Quantity
	300 494 001	<b>Belt profile with rollers (every cassette with roller)</b>	1
	300 956 001	<b>Drive fitting conveyor end, right, for conveyor open/half-element</b>	1
	300 957 001	<b>Drive fitting for half-element with motor, right</b>	1

### 11.11 926 000 001 Half-element, right, with roller and blank cassette

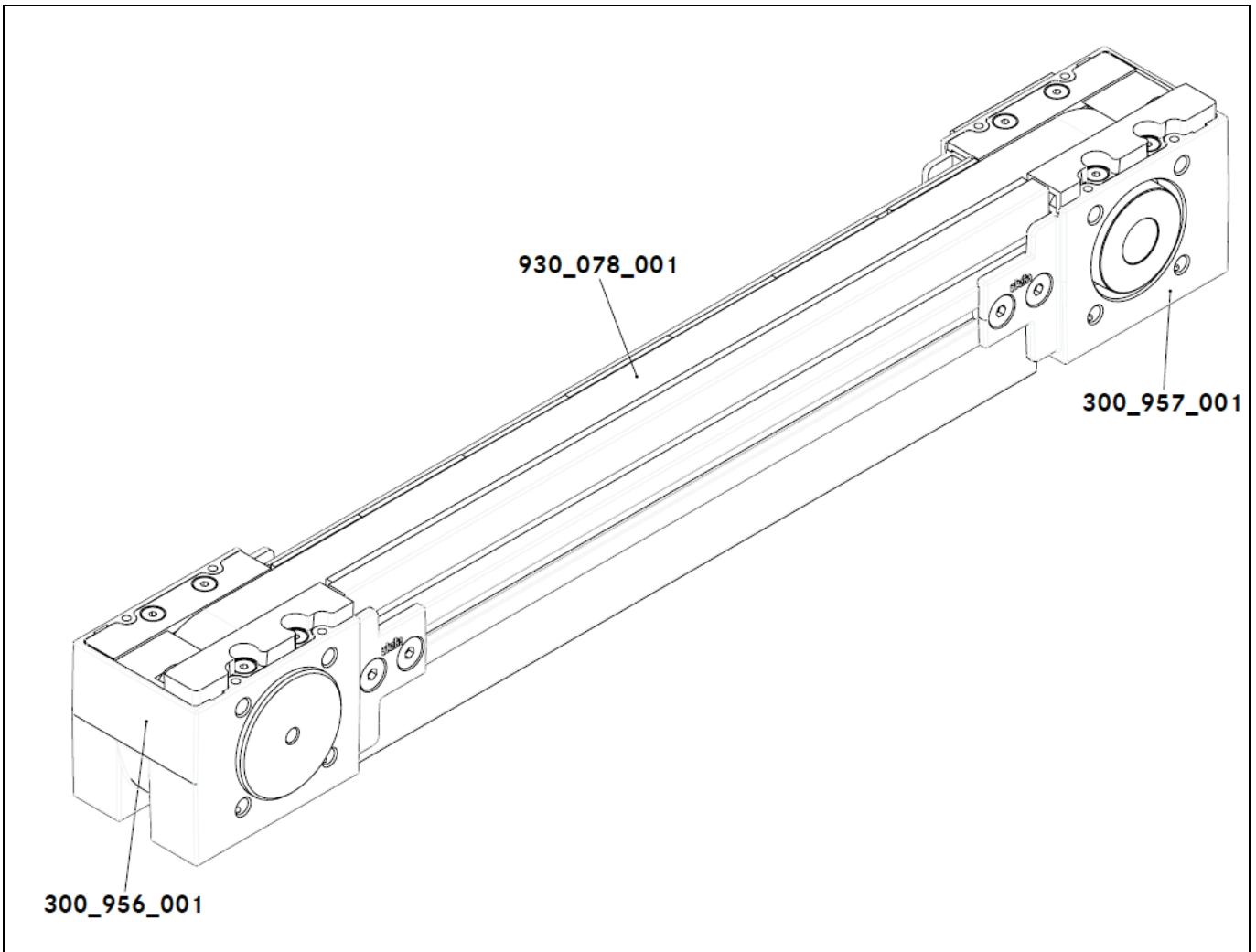

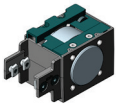
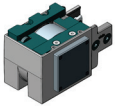


Fig. 11-11: Half-element, right, 2 casings with roller and blank cassette UB >280 – HE-RO/KL R

	Order number	Description	Quantity
	930 078 001	Belt profile roller and blank cassette in alternation	1
	300 956 001	Drive fitting conveyor end, right, for conveyor open/half-element	1
	300 957 001	Drive fitting for half-element with motor, right	1

### 11.12 924 000 001 Half-element, right, with slide rail

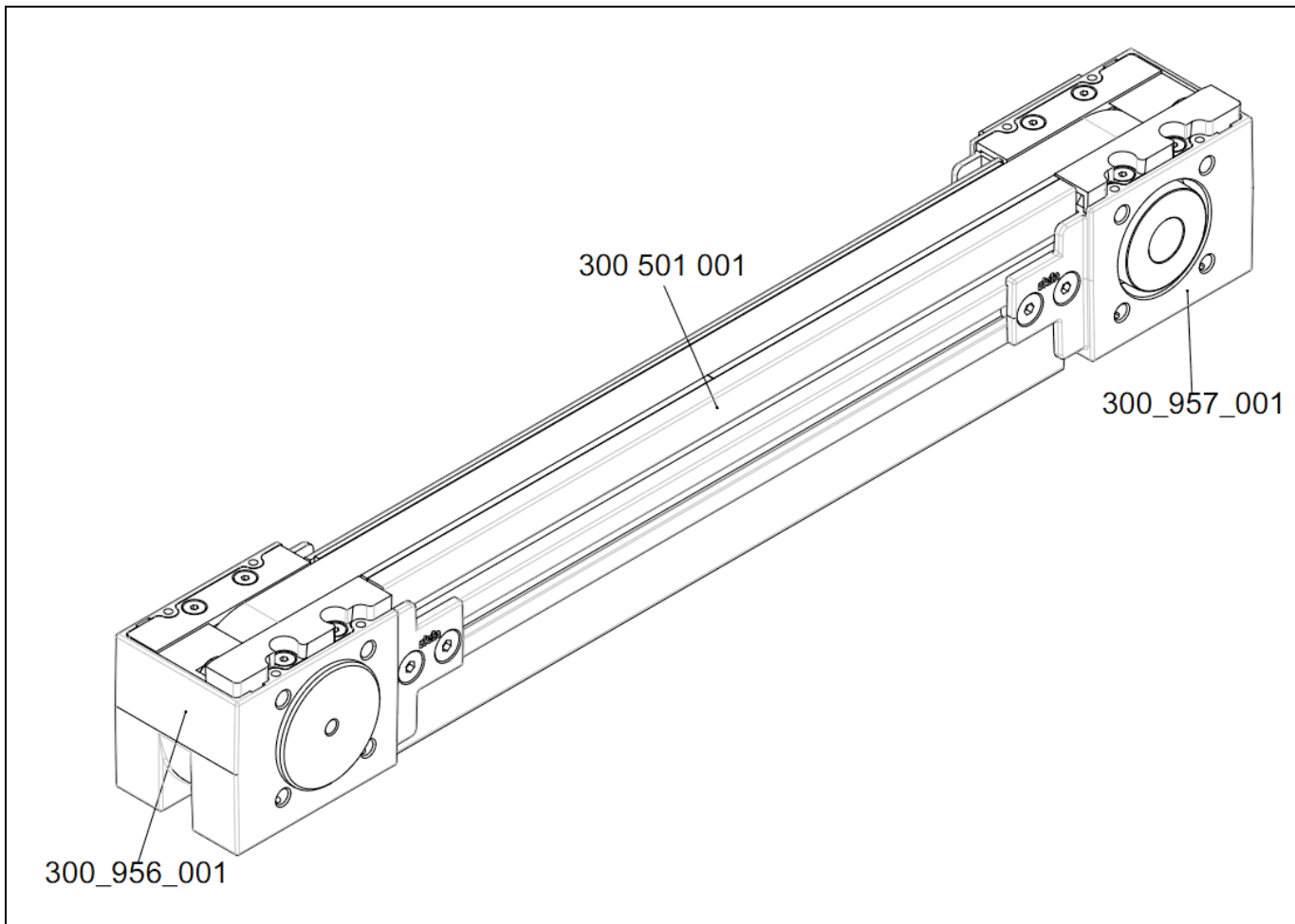

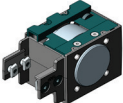
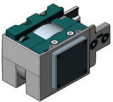


Fig. 11-12: Half-element, right, 2 casings with slide rail – HE-GL R

	<b>Order number</b>	<b>Description</b>	<b>Quantity</b>
	300 501 001	<b>Belt profile with slide rail</b>	1
	300 956 001	<b>Drive fitting conveyor end, right, for conveyor open/half-element</b>	1
	300 957 001	<b>Drive fitting for half-element with motor, right</b>	1

### 11.13 921 040 001 Half-element, right, with rollers (process conveyor end)

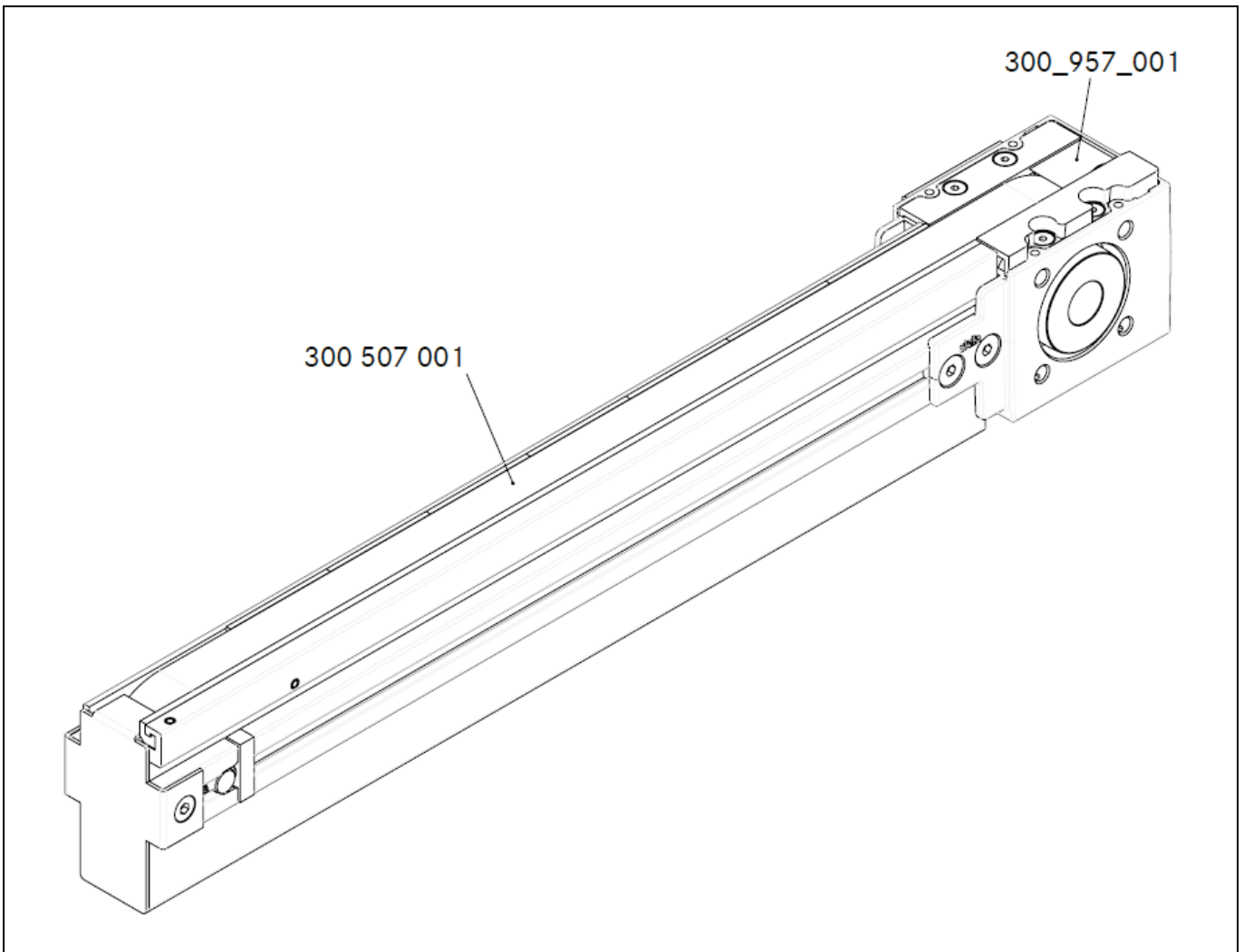

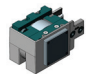


Fig. 11-13: Half-element with rollers, right, 2 casings and process conveyor end (every cassette with roller) – HEPr-JRO R

	Order number	Description	Quantity
	300 507 001	<b>Belt profile, right (every cassette with roller)</b>	1
	300 957 001	<b>Drive fitting for half-element with motor, right</b>	1

**11.14 929 000 001 Half-element, right - casing with roller and blank cassette (process conveyor end)**

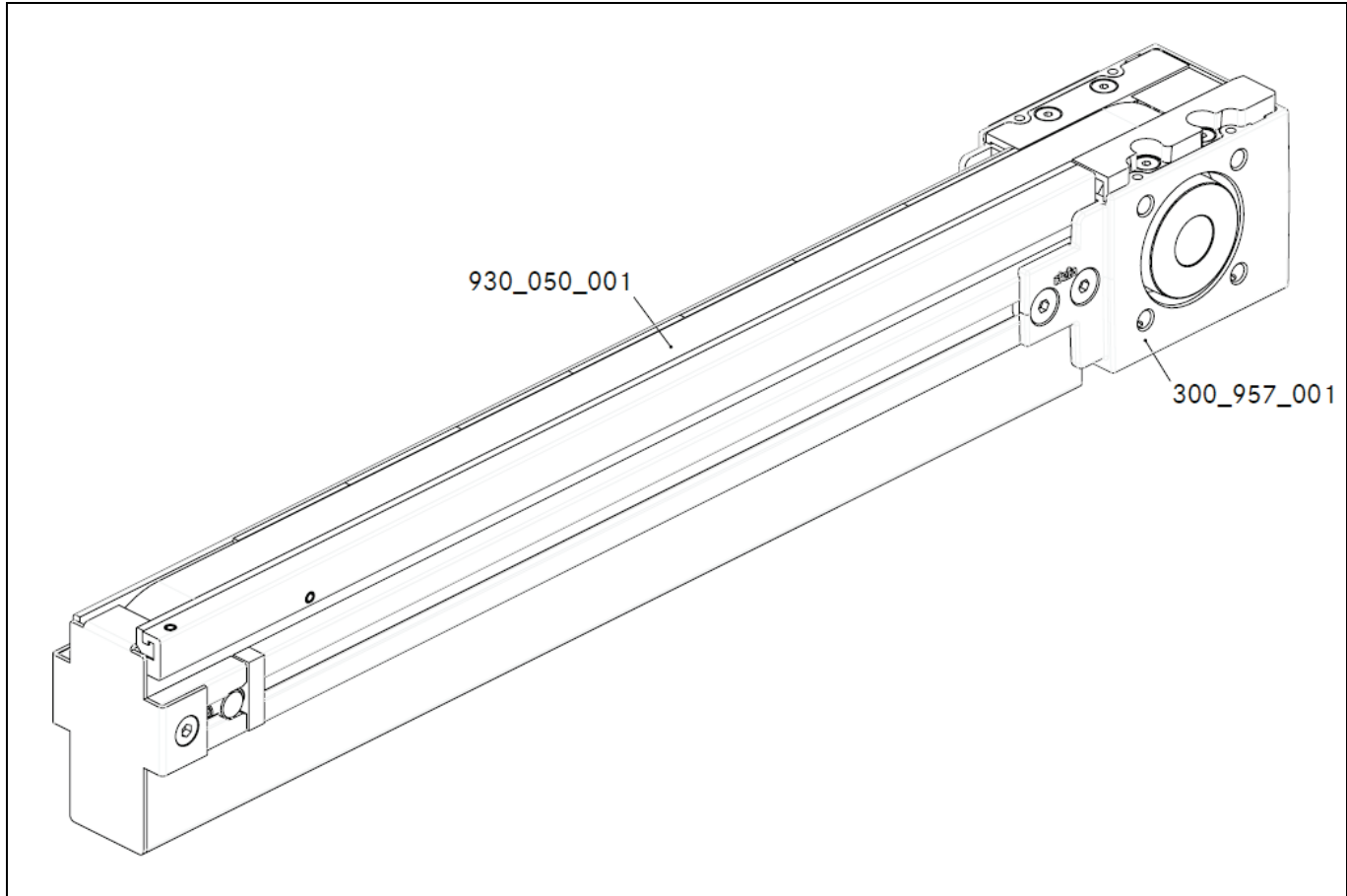
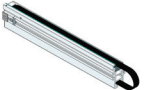
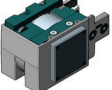


Fig. 11-14: Half-element, right, casing and process conveyor end with roller and blank cassette in alternation UB >280 - HEPr-RO/KL R

	Order number	Description	Quantity
	930 050 001	<b>Process conveyor profile, right, with roller and blank cassette in alternation</b>	1
	300 957 001	<b>Drive fitting for half-element with motor</b>	1



### 11.15 927 000 001 Half-element, right - casing and process conveyor end with slide rail

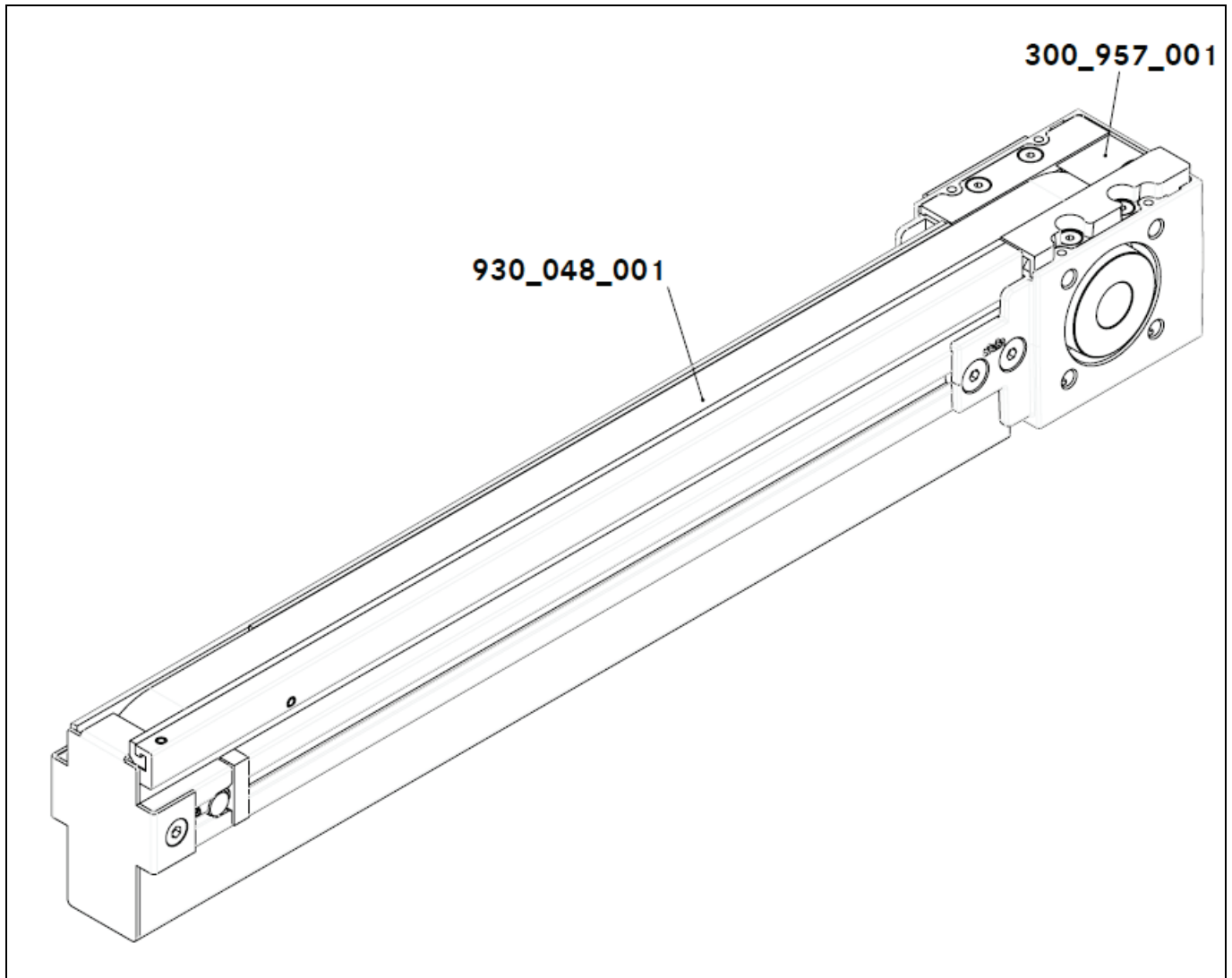
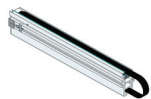
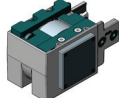


Fig. 11-15: Half-element, right, casing and process conveyor end with slide rail – HEPr-GL R

	Order number	Description	Quantity
	930 048 001	Process conveyor profile, right, with slide rail	1
	300 957 001	Drive fitting for half-element with motor	1

### 11.16 921 038 001 Half-element, left, with rollers

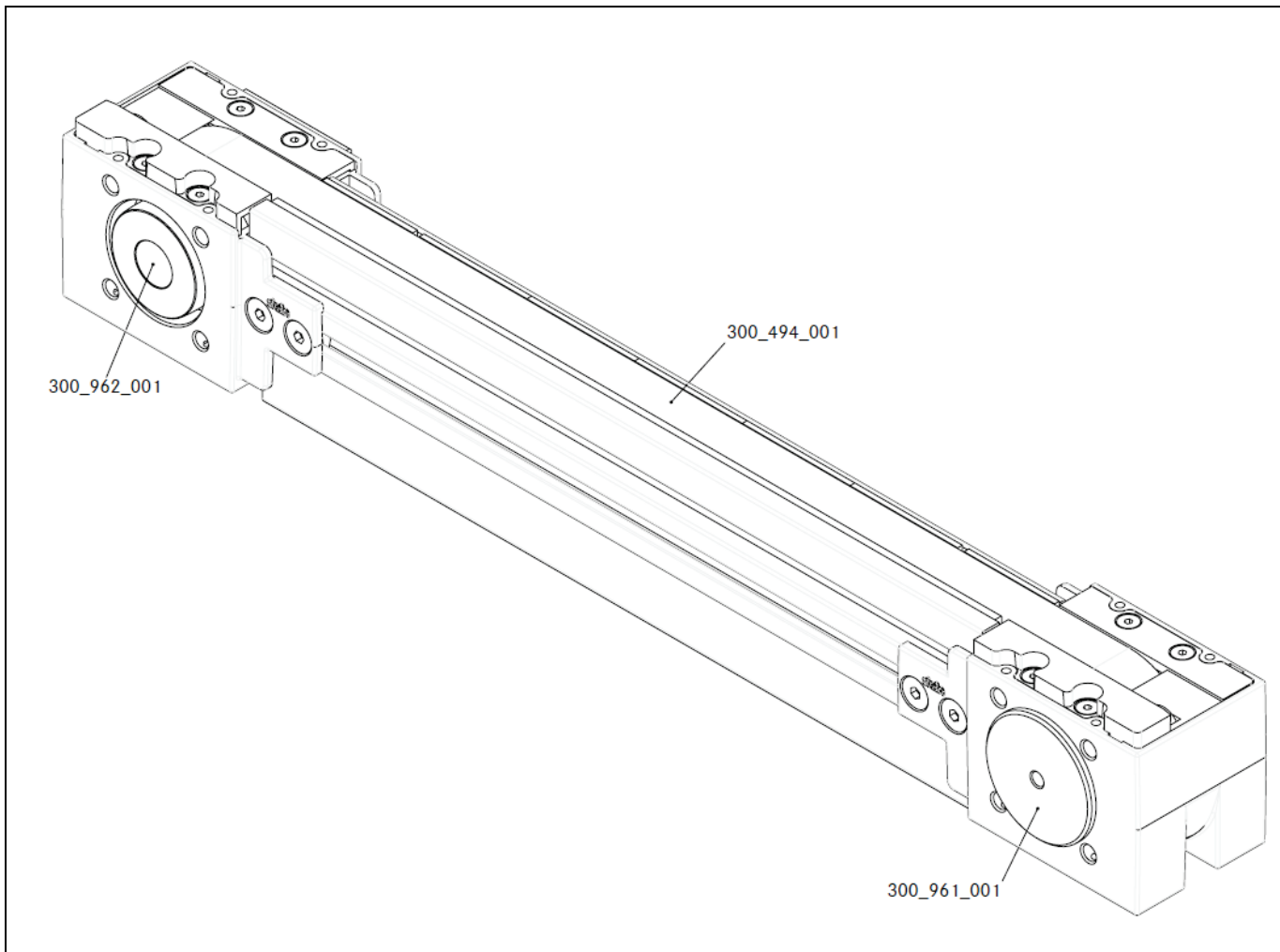

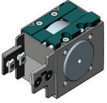
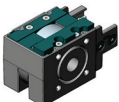


Fig. 11-16: Half-element, left, 2 casings with rollers (every cassette with roller) – HE-JRO L

	<b>Order number</b>	<b>Description</b>	<b>Quantity</b>
	300 494 001	<b>Belt profile with rollers (every cassette with roller)</b>	1
	300 961 001	<b>Drive fitting conveyor end, left, for conveyor open/half-element</b>	1
	300 962 001	<b>Drive fitting for half-element with motor, left</b>	1

### 11.17 932 000 001 Half-element, left, with roller and blank cassette

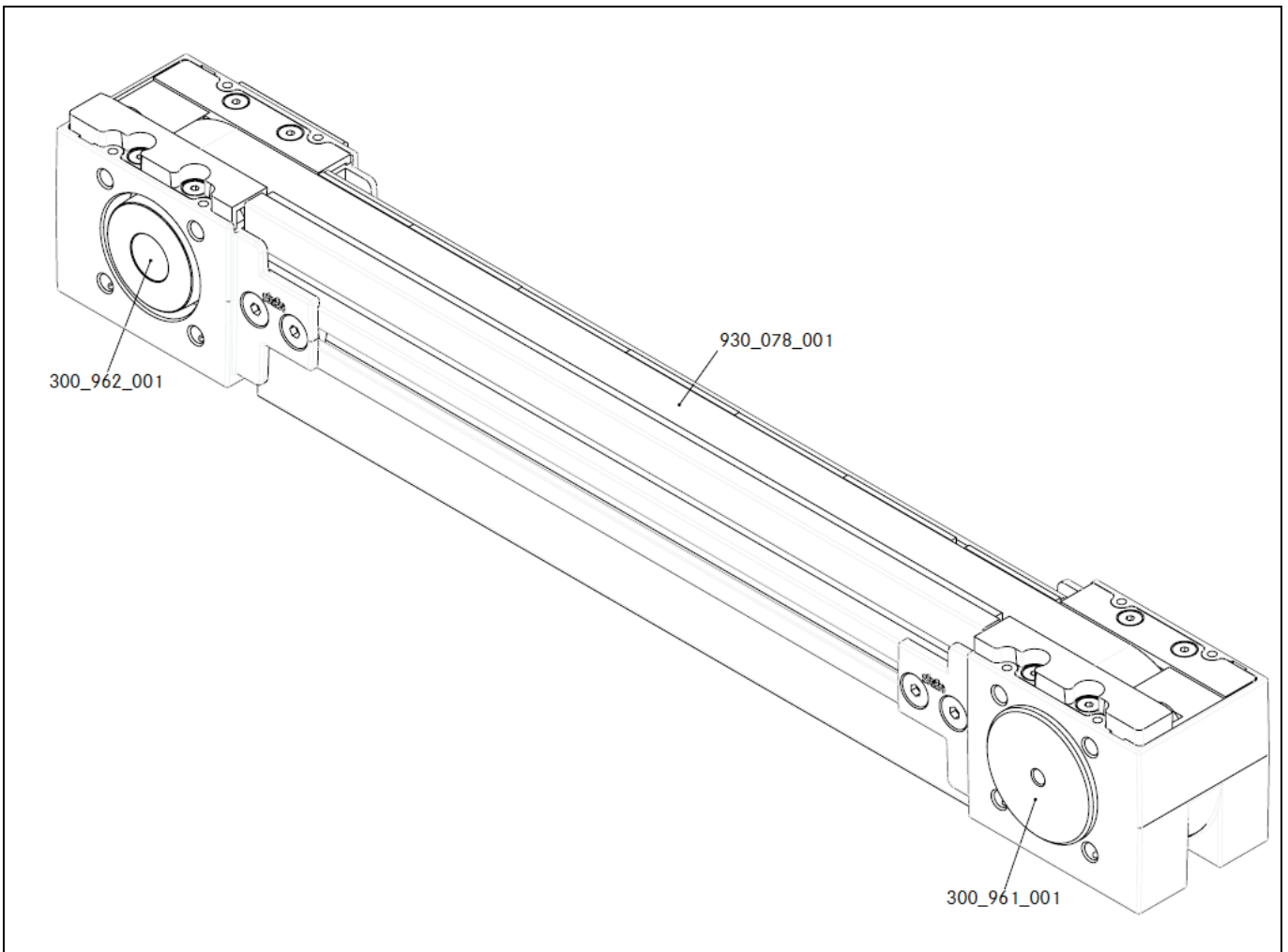

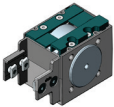
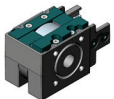


Fig. 11-17: Half-element, left, 2 casings and roller and blank cassette in alternation UB >280 – HE-RO/KL L

	Order number	Description	Quantity
	930 078 001	<b>Belt profile roller and blank cassette in alternation</b>	1
	300 961 001	<b>Drive fitting conveyor end, left, for conveyor open/half-element</b>	1
	300 962 001	<b>Drive fitting for half-element with motor, left</b>	1

### 11.18 930 000 001 Half-element, left, with slide rail

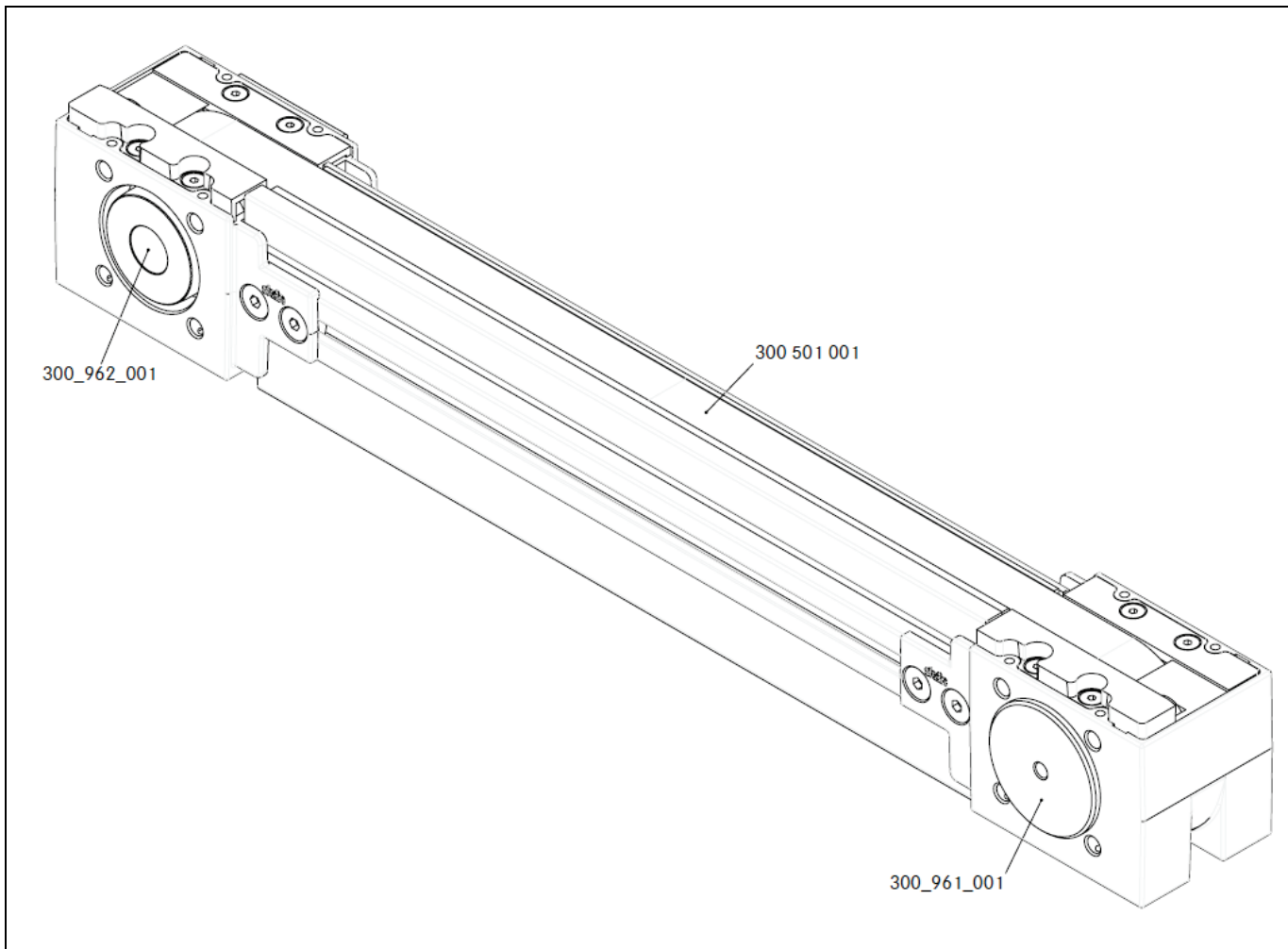
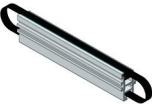
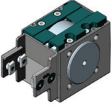
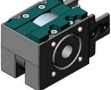


Fig. 11-18: Half-element, left, 2 casings with slide rail – HE-GL L

	Order number	Description	Quantity
	300 501 001	<b>Belt profile with slide rail</b>	1
	300 961 001	<b>Drive fitting conveyor end, left, for conveyor open/half-element</b>	1
	300 962 001	<b>Drive fitting for half-element with motor, left</b>	1

### 11.19 921 039 001 Half-element, left, with rollers (process conveyor end)

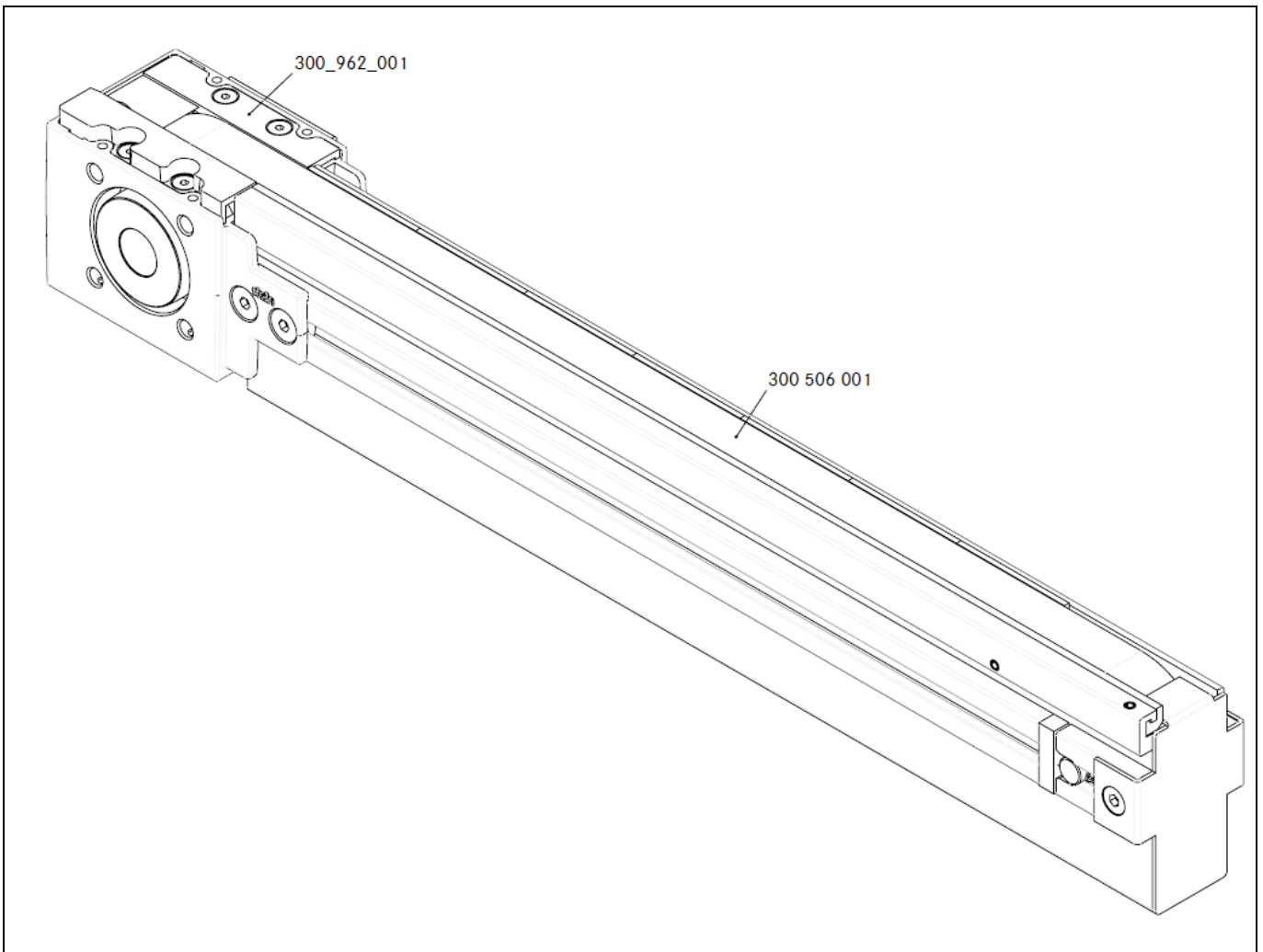

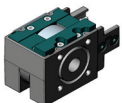


Fig. 11-19: Half-element, left, 2 casings with rollers (every cassette with roller) – HEPr-JRO L

	Order number	Description	Quantity
	300 506 001	<b>Belt profile with slide rail</b>	1
	300 962 001	<b>Drive fitting for half-element with motor, left</b>	1

### 11.20 935 000 001 Half-element, left - casing with roller and blank cassette (process conveyor end)

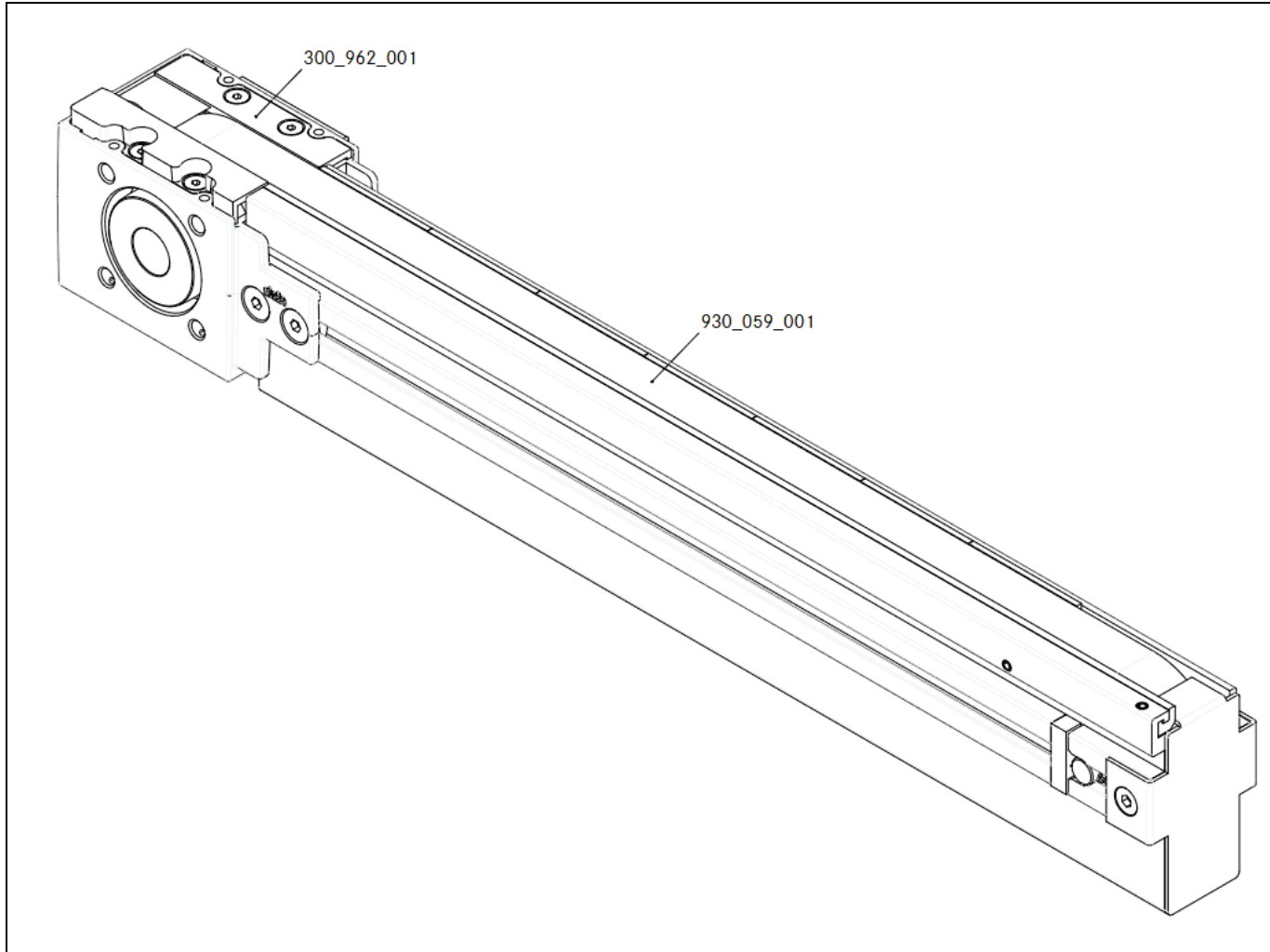
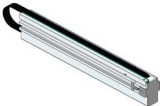
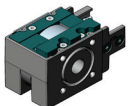


Fig. 11-20: Half-element, left, casing and process conveyor end with roller and blank cassette in alternation UB >280 – HEPr-RO/KL L

	Order number	Description	Quantity
	930 059 001	Process conveyor profile, left, with roller and blank cassette in alternation	1
	300 962 001	Drive fitting for half-element with motor, left	1

### 11.21 933 000 001 Half-element, left - casing with slide rail (process conveyor end)

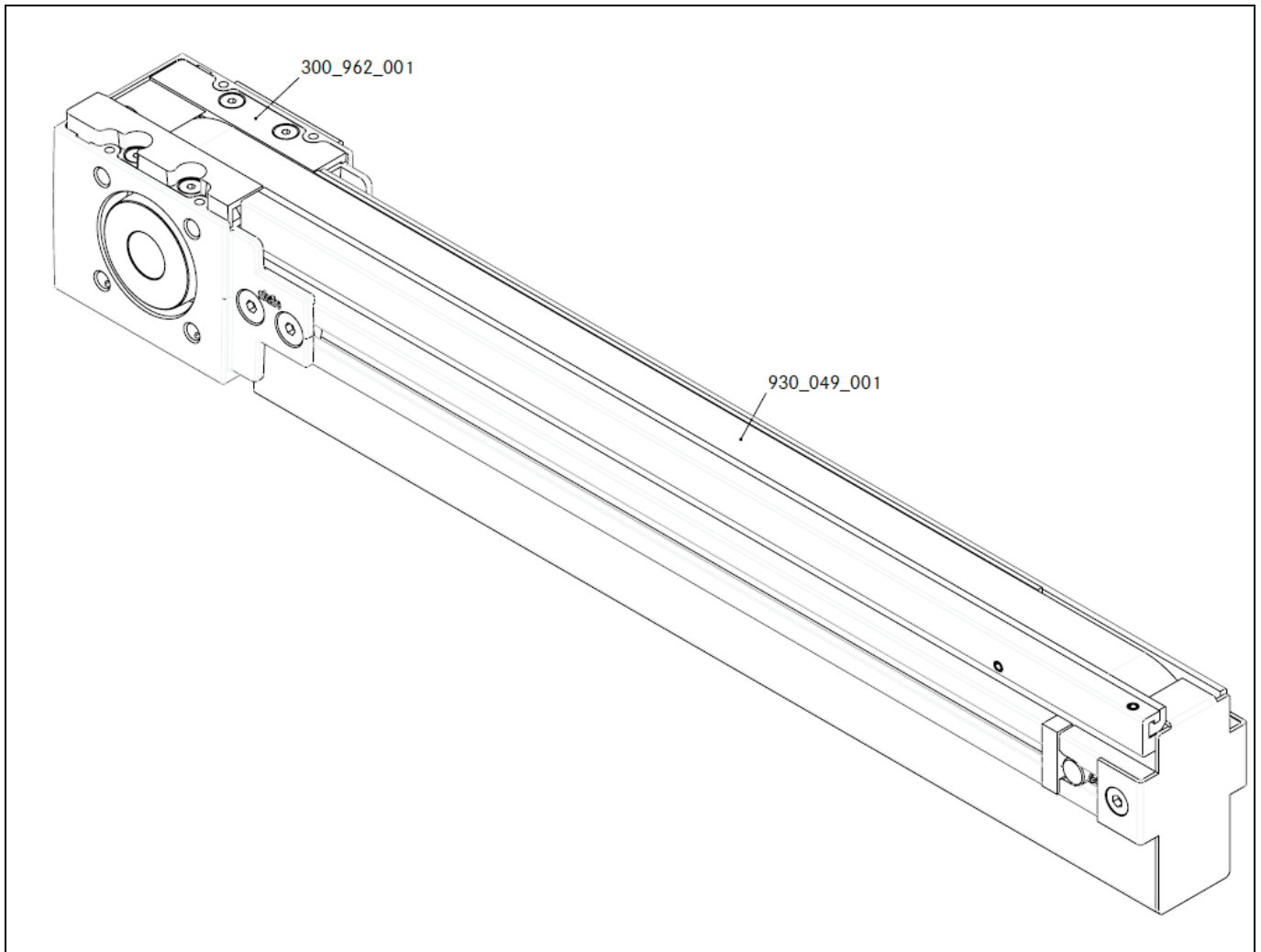

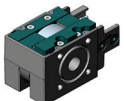


Fig. 11-21: Half-element, left, casing and process conveyor end with slide rail

	Order number	Description	Quantity
	930 049 001	Process conveyor profile, left, with slide rail	1
	300 962 001	Drive fitting for half-element with motor, left	1

## 12 Belt profile models

### 12.1 930 047 001 Belt profile with rollers

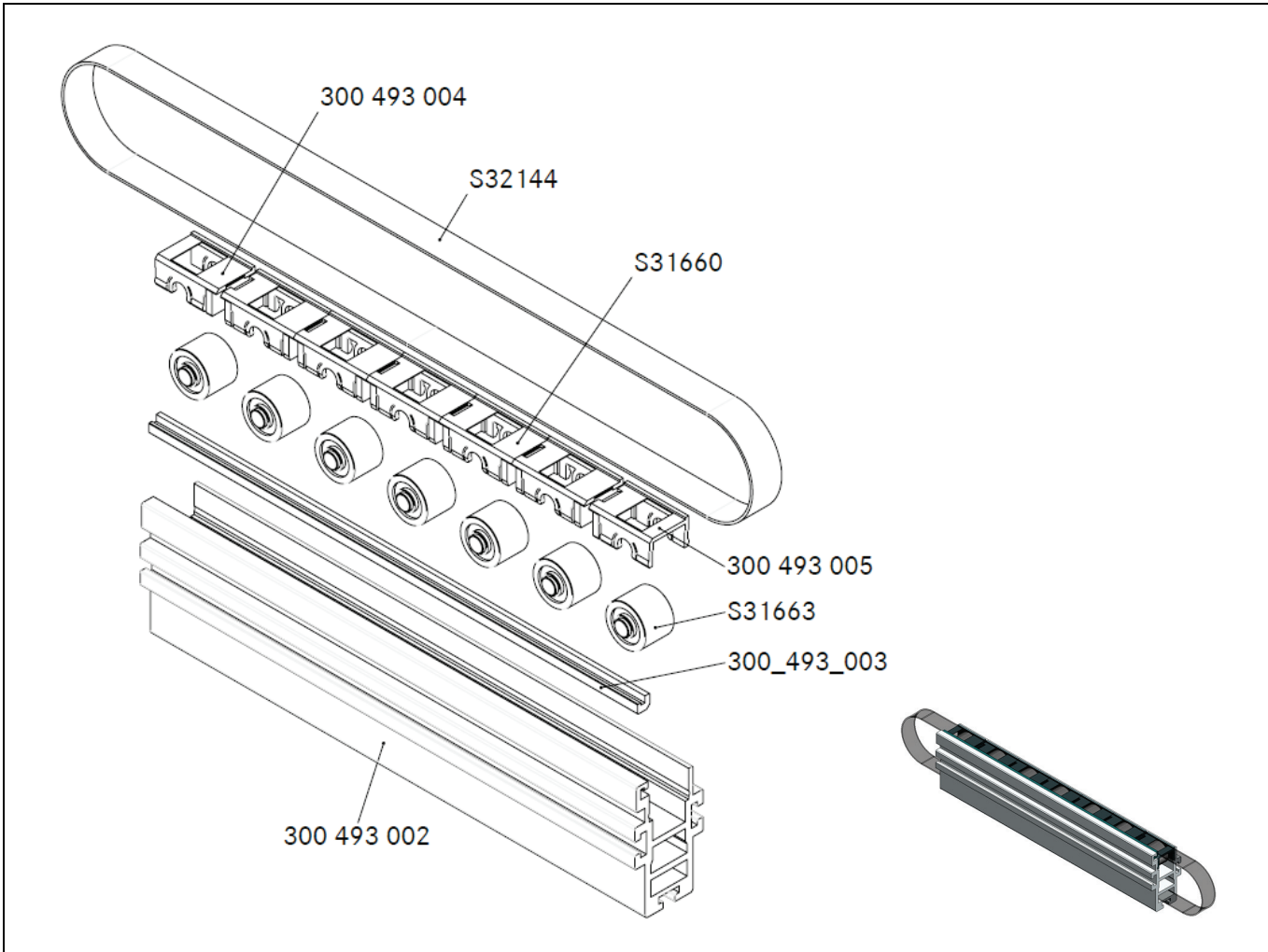
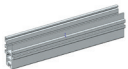

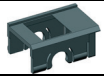
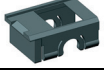
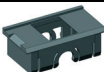
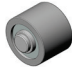



Fig. 12-1: Belt profile with rollers (every cassette with roller)

	Order number	Description	Quantity
	300 493 002	<b>Belt profile</b>	1
	300 493 003	<b>Guide</b>	1
	300 493 004	<b>Rework of end cassette</b>	1
	300 493 005	<b>Rework of end cassette, right</b>	1
	S31660	<b>Cassette open</b>	Depending on length
	S31663	<b>Roller</b>	Depending on length
	S32144	<b>Belt open for conveyor</b>	1



## 12.2 930 078 001 Belt profile with roller and blank cassette UB >280

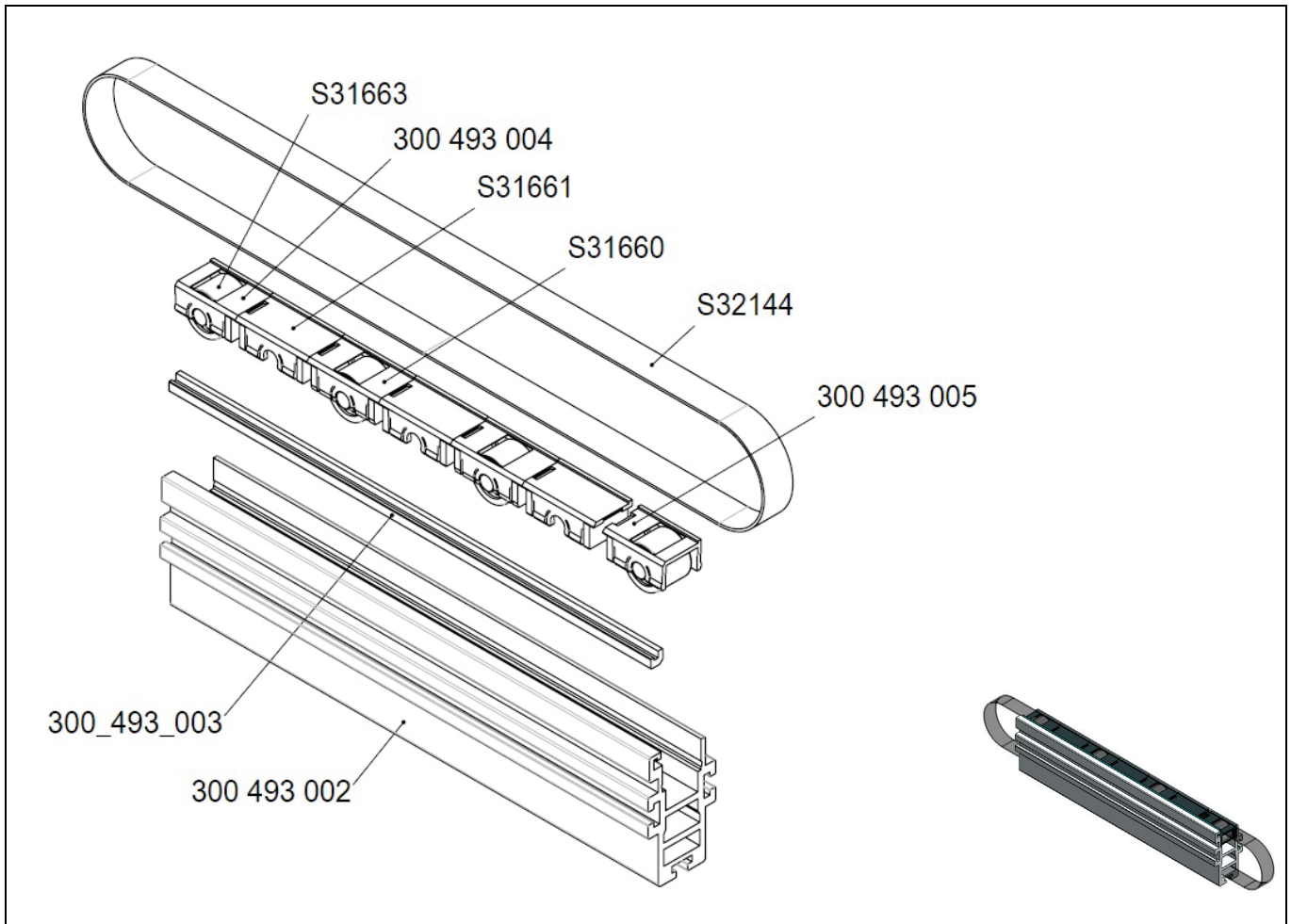
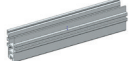

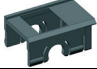
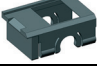
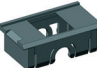





Fig. 12-2: Belt profile with roller and blank cassette in alternation

	Order number	Description	Quantity
	300 493 002	<b>Belt profile</b>	1
	300 493 003	<b>Guide rail</b>	1
	300 493 004	<b>Belt cassette, right</b>	1
	300 493 005	<b>Belt cassette, left</b>	1
	S31660	<b>Cassette open</b>	Depending on length
	S31661	<b>Cassette closed</b>	Depending on length
	S31663	<b>Roller</b>	Depending on length
	S32144	<b>Belt open for conveyor</b>	1

### 12.3 300 501 001 Profile with slide rail

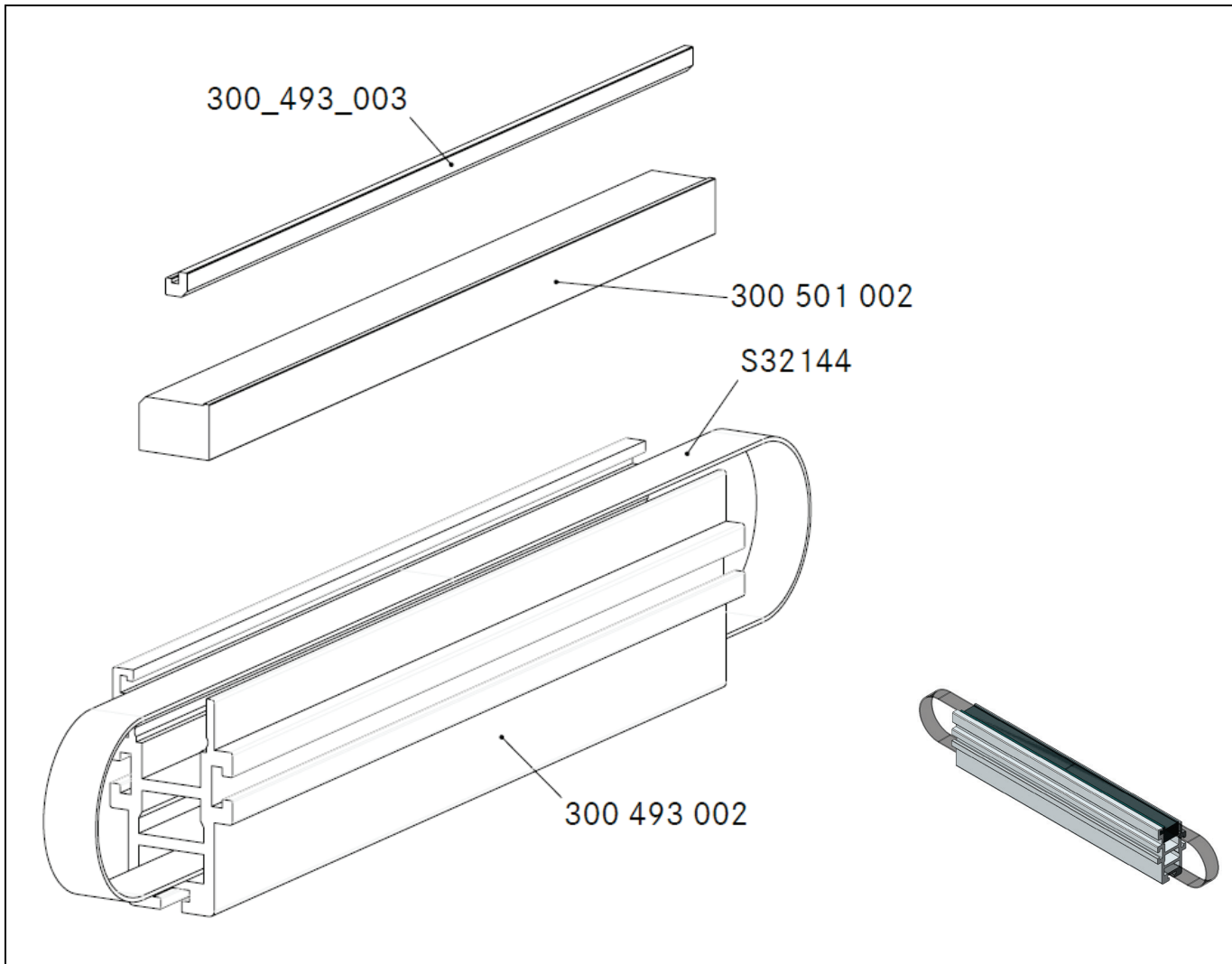
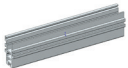

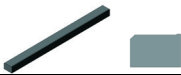



Fig. 12-3: Belt profile with slide rail

	Order number	Description	Quantity
	300 493 002	<b>Belt profile</b>	1
	300 493 003	<b>Guide rail</b>	1
	300 501 002	<b>Slide rail</b>	1
	S32144	<b>Belt open for conveyor</b>	1

## 12.4 300 506 001 Belt section, left with rollers

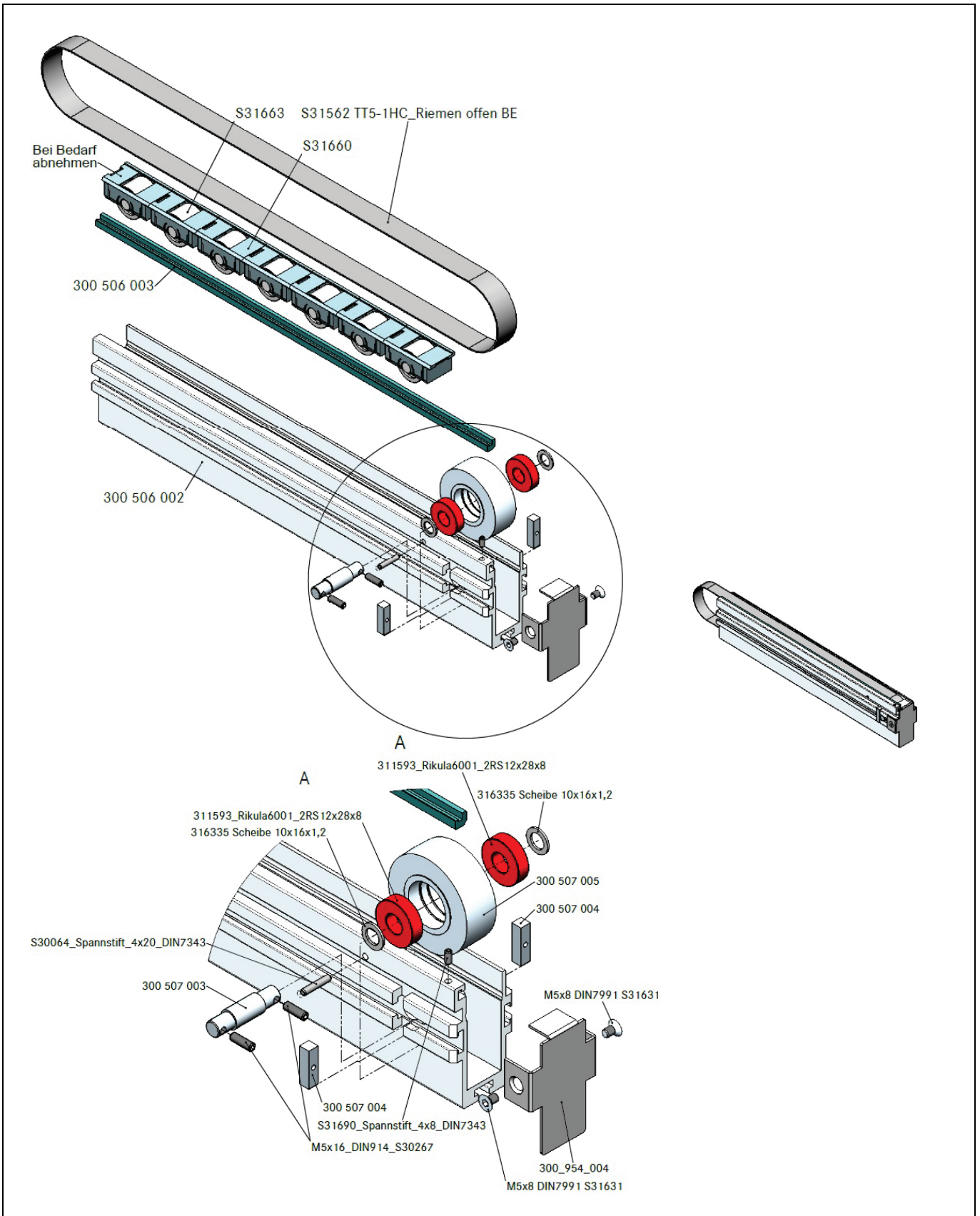


Fig. 12-4: Belt section, left with rollers (every cassette with roller)

	Order number	Description	Quantity
	S30064	<b>Dowel pin DIN ISO 8750 4x20</b>	1
	S31631	<b>Countersunk screw M5x80 DIN7991</b>	2
	300 954 004	<b>Conveyor cover plate</b>	1
	300 506 002	<b>Belt profile process conveyor, left</b>	1
	300 506 003	<b>Guide rail</b>	1
	300 507 003	<b>Axle</b>	1
	300 507 004	<b>Stop plate</b>	2
	300 507 005	<b>Deflector roller</b>	1
	S30267	<b>Set screw M5x16 DIN914</b>	2
	311593	<b>Groove ball bearing 6001 12x28x8</b>	2
	S31562	<b>Belt for conveyor TT5/1-HC 20wide</b>	1
	316335	<b>Shim washer P10x16x1.3</b>	2
	S31660	<b>Cassette open</b>	Depending on length
	S31663	<b>Roller</b>	Depending on length
	S31690	<b>Dowel pin, light version 4x8 DIN7343</b>	1

## 12.5 300 507 001 Belt section, right with rollers

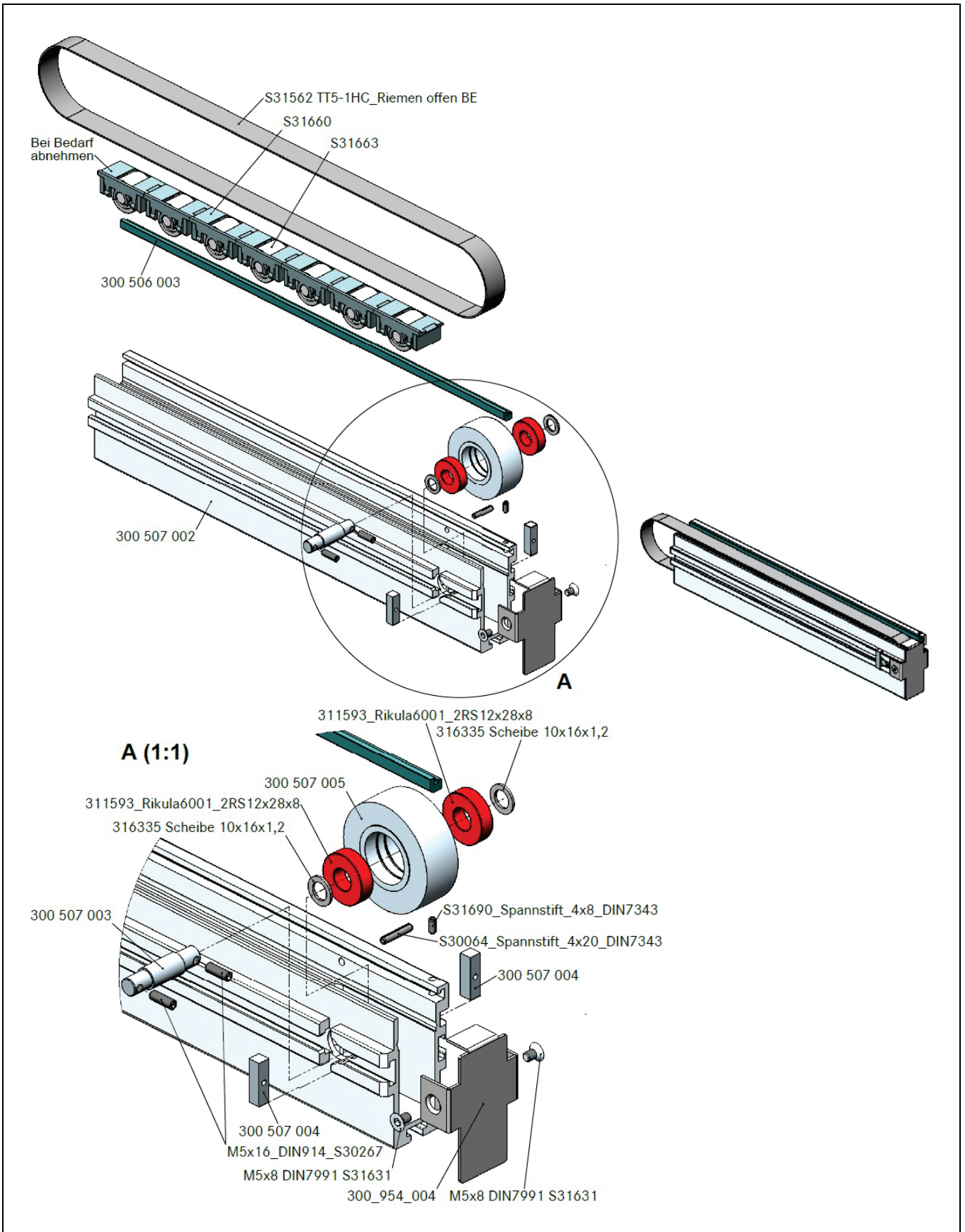


Fig. 12-5: Belt section, left with roller (every cassette with roller)

	Order number	Description	Quantity
	S31631	Countersunk screw M5x80 DIN7991	2
	300 954 004	Conveyor cover plate	1
	300 506 003	Guide rail	1
	300 507 002	Belt profile	1
	300 507 003	Axle	1
	300 507 004	Stop plate	2
	300 507 005	Deflector roller	1
	S30064	Dowel pin DIN ISO 8750 4x20	1
	S30267	Set screw M5x16 DIN914	2
	311593	Groove ball bearing 6001 12x28x8	2
	S31562	Belt for conveyor TT5/1-HC 20wide	1
	316335	Shim washer P10x16x1.3	2
	S31660	Cassette open	Depending on length
	S31663	Roller	Depending on length
	S31690	Dowel pin, light version 4x8 DIN7343	1

## 12.6 930 050 001 Half-element process conveyor profile, right, with roller and blank cassette in alternation

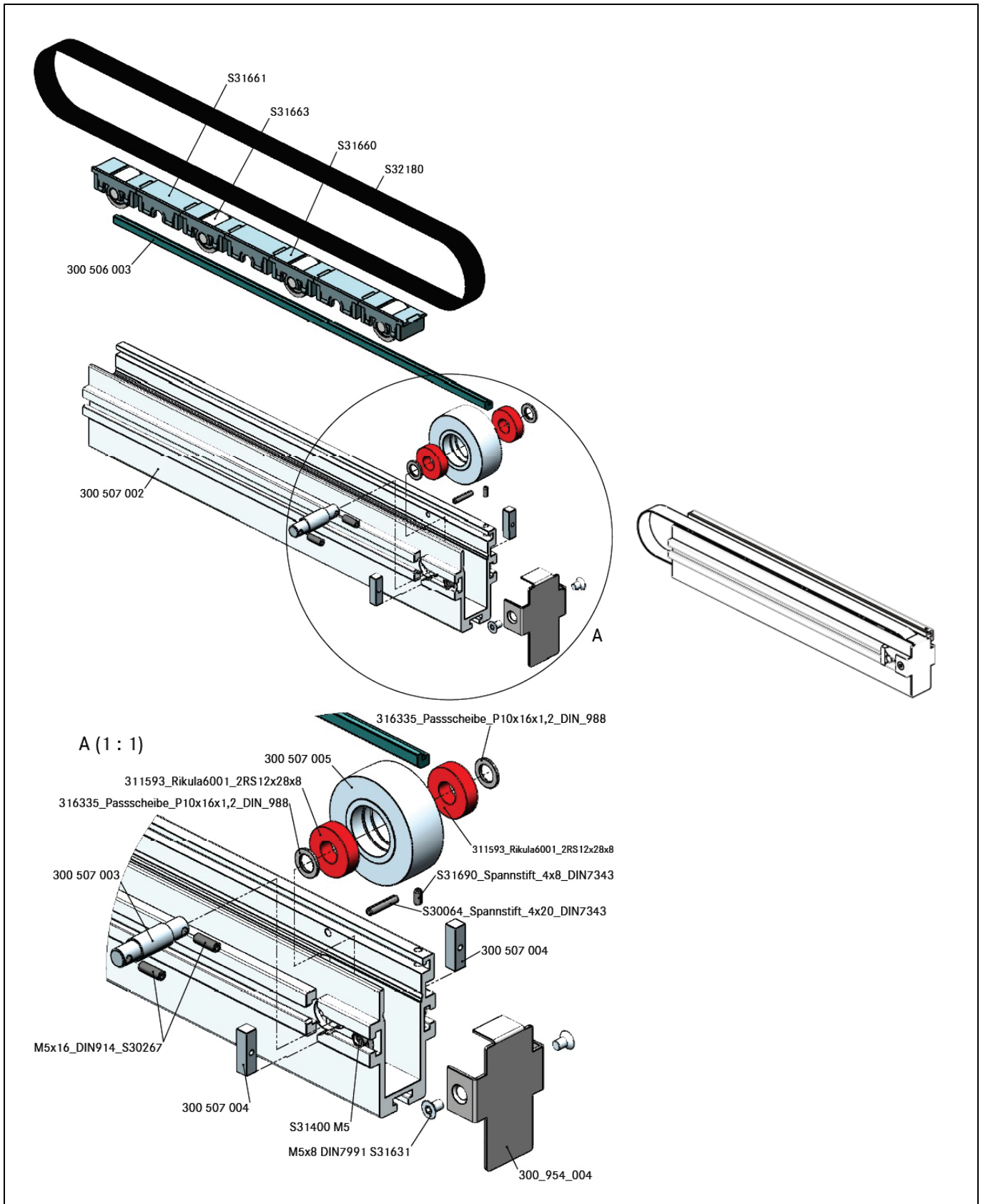


Fig. 12-6: Half-element process conveyor profile, right, with roller and blank cassette in alternation

	Order number	Description	Quantity
	300 507 002	<b>Belt profile</b>	1
	300 507 003	<b>Axle</b>	1
	300 507 004	<b>Stop plate</b>	2
	300 507 005	<b>Deflector roller</b>	1
	300 506 003	<b>Guide rail</b>	1
	300 954 004	<b>Conveyor cover plate</b>	1
	S31631	<b>Countersunk screw M5x8 DIN7991</b>	2
	S30267	<b>Set screw M5x16 DIN914</b>	2
	S31400	<b>Slotted nut M5</b>	2
	311593	<b>Groove ball bearing 6001 12x28x8</b>	2
	316335	<b>Shim washer P10x16x1.3</b>	2
	S31690	<b>Dowel pin, light version 4x8 DIN7343</b>	1
	S30064	<b>Dowel pin DIN ISO 8750 4x20</b>	1
	S32180	<b>Belt for process-BE TT5/1-HC</b>	1
	S31660	<b>Cassette open</b>	Depending on length
	S31661	<b>Cassette closed</b>	Depending on length
	S31663	<b>Roller</b>	Depending on length



## 12.7 930 059 001 Half-element process conveyor profile, left, with roller and blank cassette in alternation

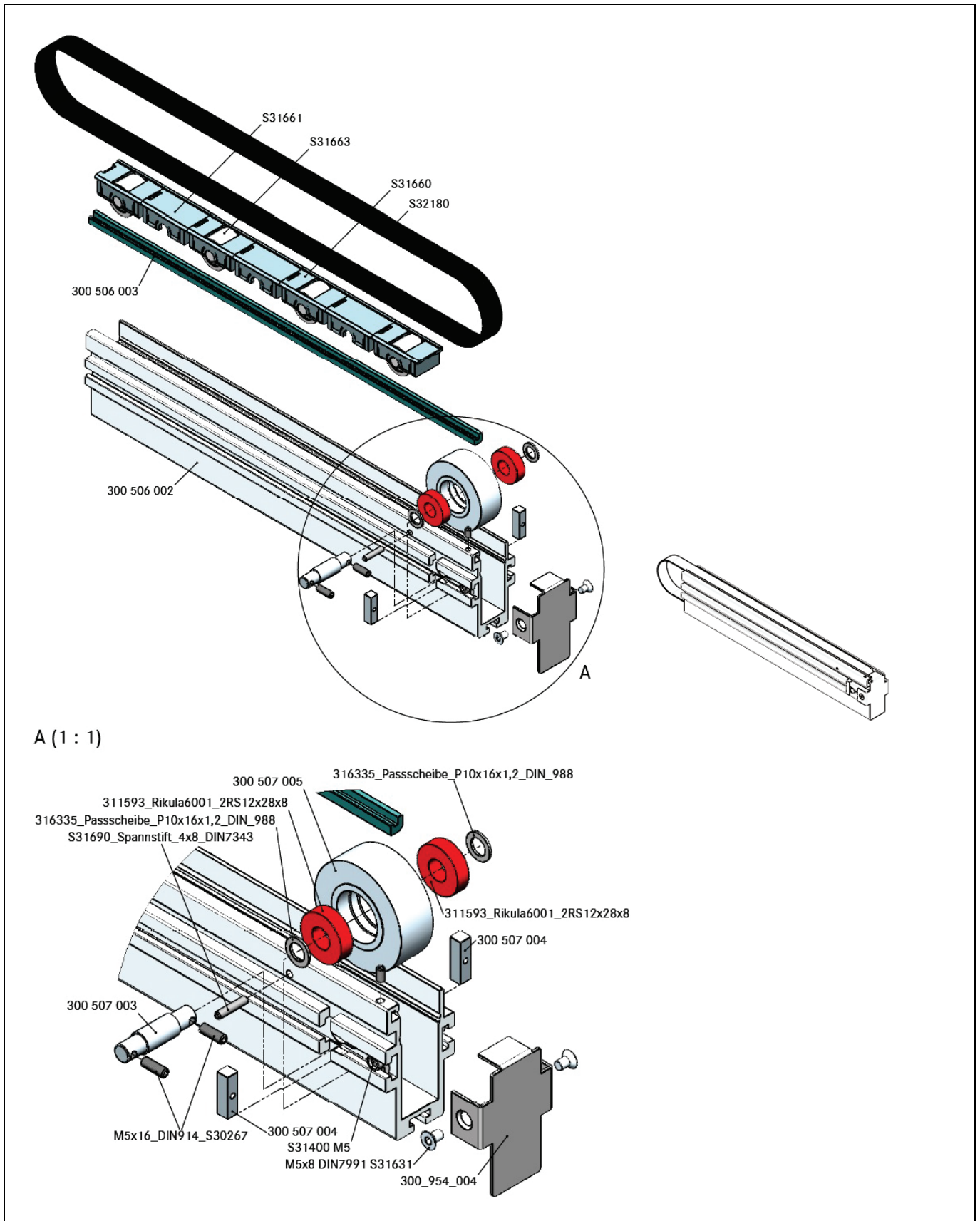


Fig. 12-7: Half-element process conveyor profile, left, with roller and blank cassette in alternation

	Order number	Description	Quantity
	300 506 002	<b>Belt profile</b>	1
	300 506 003	<b>Guide rail</b>	1
	300 507 003	<b>Axle</b>	1
	300 507 004	<b>Stop plate</b>	2
	300 507 005	<b>Deflector roller</b>	1
	300 954 004	<b>Conveyor cover plate</b>	1
	S31631	<b>Countersunk screw M5x8 DIN7991</b>	2
	S30267	<b>Set screw M5x16 DIN914</b>	2
	S31400	<b>Slotted nut M5</b>	2
	311593	<b>Groove ball bearing 6001 12x28x8</b>	2
	316335	<b>Shim washer P10x16x1.3</b>	2
	S31690	<b>Dowel pin, light version 4x8 DIN7343</b>	1
	S30064	<b>Dowel pin DIN ISO 8750 4x20</b>	1
	S32180	<b>Belt for process-BE TT5/1-HC</b>	1
	S31660	<b>Cassette open</b>	Depending on length
	S31661	<b>Cassette closed</b>	Depending on length
	S31663	<b>Roller</b>	Depending on length

## 12.8 930 048 001 Process conveyor profile, right, with slide rail

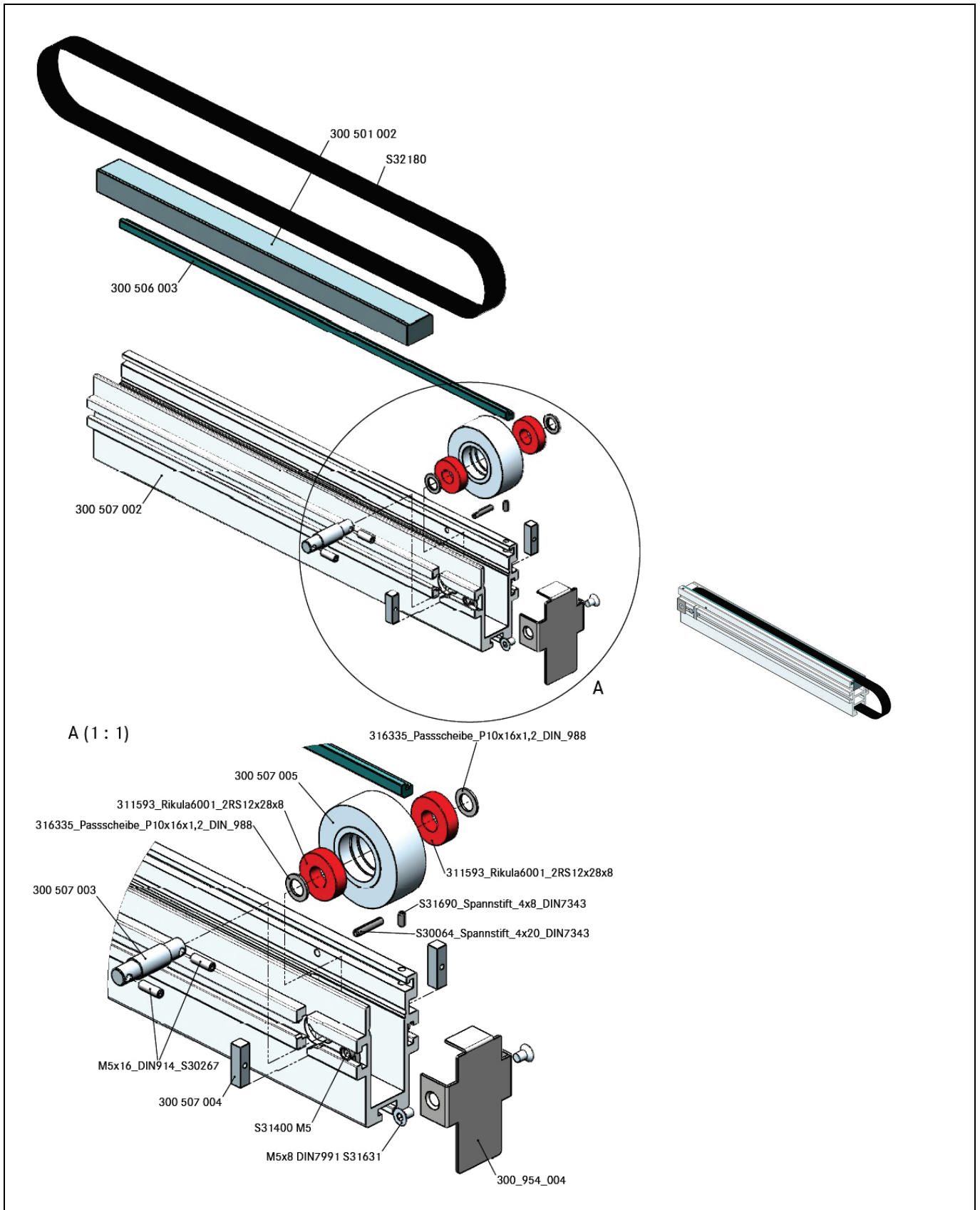


Fig. 12-8: Process conveyor profile, right, with slide rail

	Order number	Description	Quantity
	300 507 002	<b>Belt profile</b>	1
	300 507 003	<b>Axle</b>	1
	300 507 004	<b>Stop plate</b>	2
	300 507 005	<b>Deflector roller</b>	1
	300 501 002	<b>Slide rail</b>	1
	300 506 003	<b>Guide rail</b>	1
	300 954 004	<b>Conveyor cover plate</b>	1
	S32180	<b>Belt for process-BE TT5/1-HC</b>	1
	S30267	<b>Set screw M5x16 DIN914</b>	2
	S31690	<b>Dowel pin, light version 4x8 DIN7343</b>	1
	S30064	<b>Dowel pin DIN ISO 8750 4x20</b>	1
	311593	<b>Groove ball bearing 6001 12x28x8</b>	2
	316335	<b>Shim washer P10x16x1.3</b>	2
	S31400	<b>Slotted nut M5</b>	2
	S31631	<b>Countersunk screw M5x8 DIN7991</b>	2

## 12.9 930 049 001 Process conveyor profile, left, with slide rail

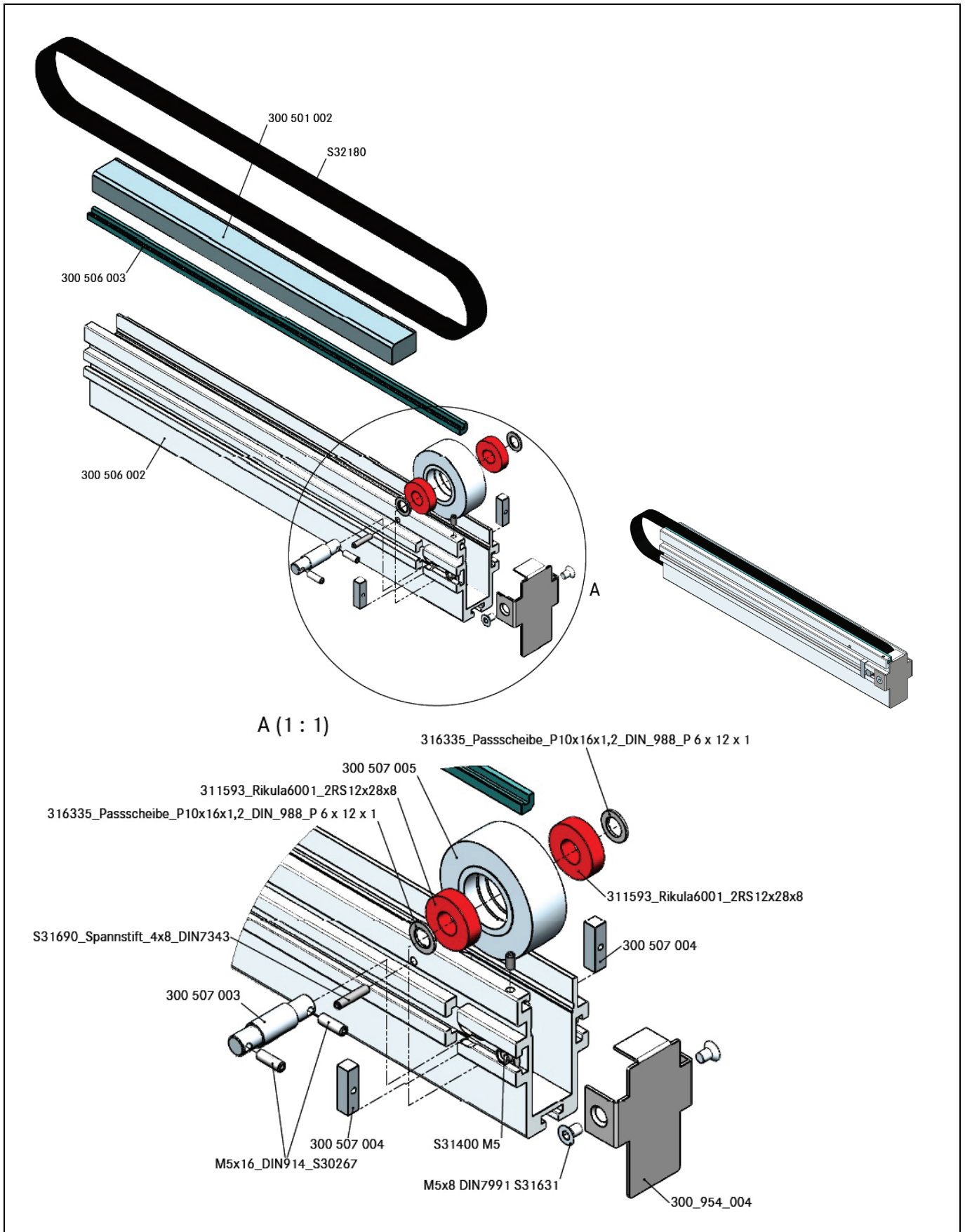


Fig. 12-9: Process conveyor profile, left, with slide rail

	Order number	Description	Quantity
	300 506 002	<b>Belt profile</b>	1
	300 506 003	<b>Guide rail</b>	1
	300 507 003	<b>Axle</b>	1
	300 507 004	<b>Stop plate</b>	2
	300 507 005	<b>Deflector roller</b>	1
	300 501 002	<b>Slide rail</b>	1
	300 954 004	<b>Conveyor cover plate</b>	1
	S32180	<b>Belt for process-BE TT5/1-HC</b>	1
	S30267	<b>Set screw M5x16 DIN914</b>	2
	S31690	<b>Dowel pin, light version 4x8 DIN7343</b>	1
	S30064	<b>Dowel pin DIN ISO 8750 4x20</b>	1
	311593	<b>Groove ball bearing 6001 12x28x8</b>	2
	316335	<b>Shim washer P10x16x1.3</b>	2
	S31400	<b>Slotted nut M5</b>	2
	S31631	<b>Countersunk screw M5x8 DIN7991</b>	2

## 12.10 300 599 001 Drive fitting (from 2018)

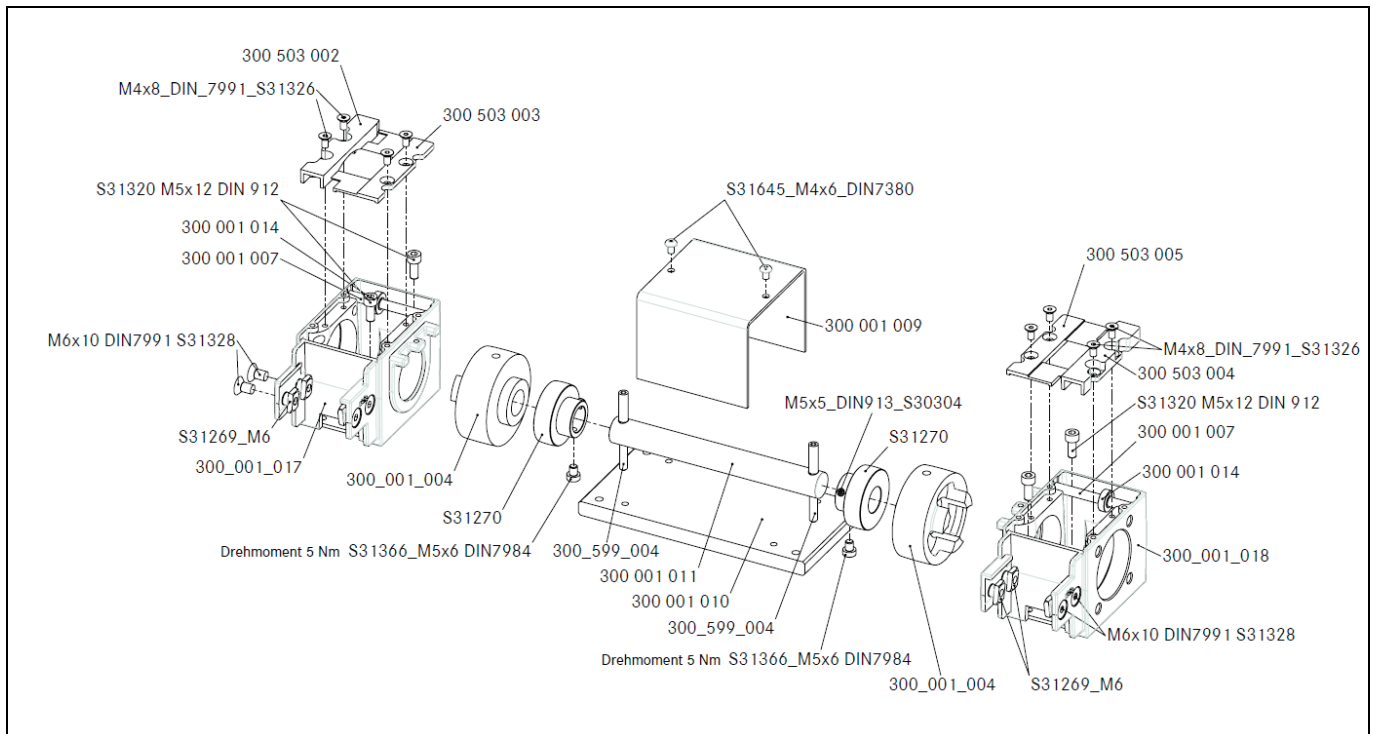

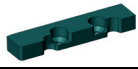

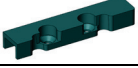
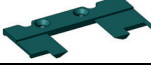
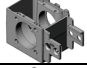
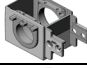

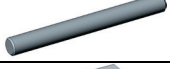
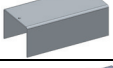




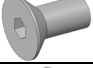




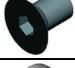



Fig. 12-10: Drive fitting variant (from January 2018)

	Order number	Description	Quantity
	300 599 004	Pin	2
	300 503 002	Guide	1
	300 503 003	Lid	1
	300 503 004	Guide	1
	300 503 005	Lid	1
	300 001 017	Casing right	1
	300 001 018	Casing left	1
	300 001 004	Drive wheel	2
	300 001 007	Pin	2
	300 001 009	Cover	1
	300 001 010	Base plate	1
	300 001 011	Shaft	1

	300 001 014	<b>Support wheel</b>	2
	S31645	<b>M4x6 DIN7380</b>	2
	S31326	<b>M4x8 DIN7991</b>	8
	S30304	<b>M5x5 DIN913</b>	2
	S31366	<b>M5x6 DIN7984</b>	2
	S31320	<b>M5x12 DIN912</b>	4
	S31269	<b>Sliding block M6</b>	8
	S31328	<b>M6x10 DIN31328</b>	8
	S31270	<b>Tension bearings RAE 17 NPPB</b>	2



### 12.11 300 599 001 Drive fitting (until 2018)

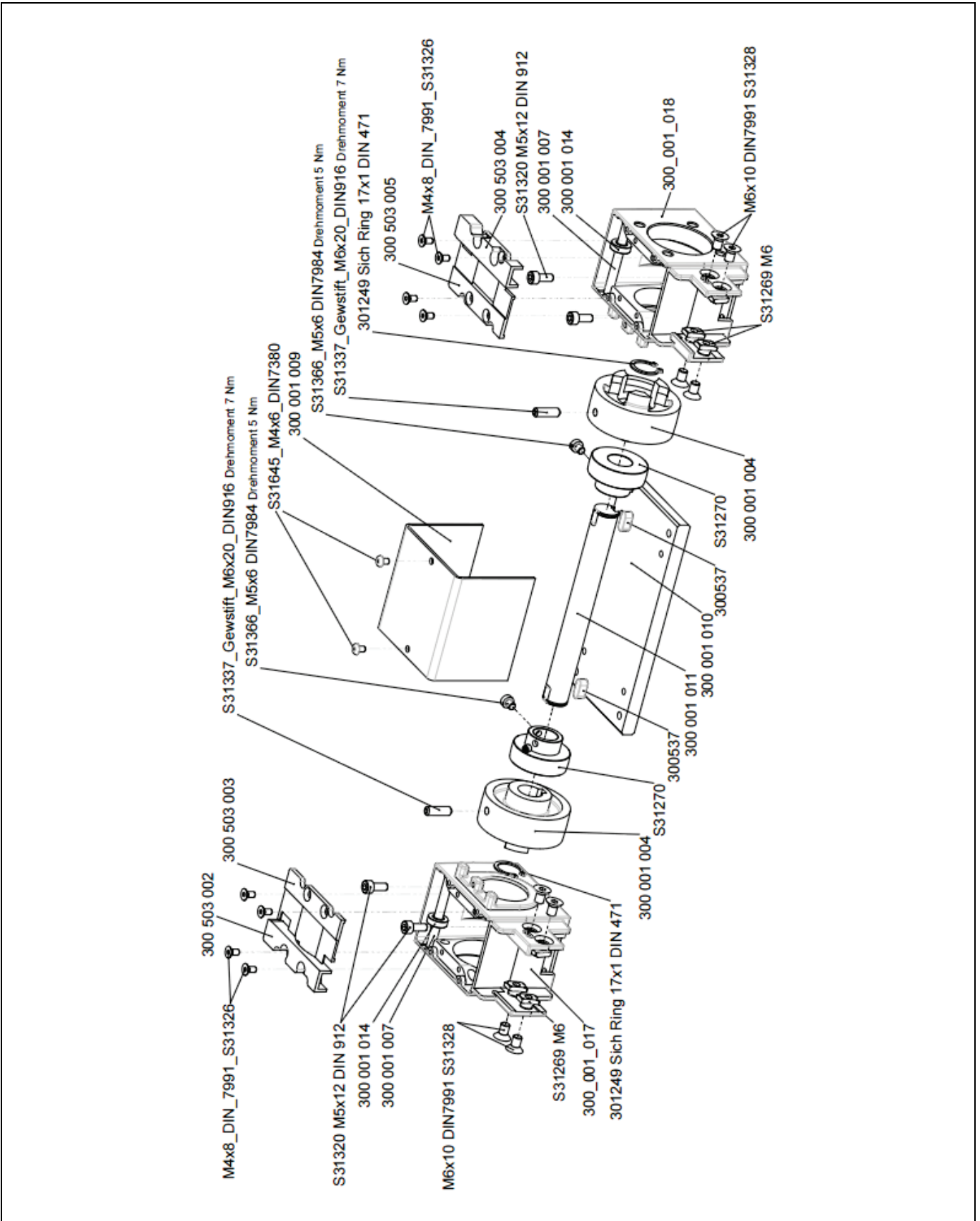




Fig. 12-11: Drive fitting variant (until end December 2017)

	Order number	Description	Quantity
	300 503 002	Guide	1
	300 503 003	Lid	1
	300 503 004	Guide	1
	300 503 005	Lid	1
	300 001 004	Drive wheel	2
	300 001 007	Pin	2
	300 001 009	Cover	1
	300 001 010	Base plate	1
	300 001 011	Shaft	1
	300 001 014	Support wheel	2
	300_001_017	Casing left	1
	300_001_018	Casing right	1
	S31645	M4x6_DIN7380	2
	S31326	M4x8_DIN7991	8
	S31366	M5x6_DIN7984	2
	S31320	M5x12_DIN912	4
	S31269	Sliding block M6	8
	S31328	M6x10_DIN31328	8
	S31337	Set screw M6x20_DIN916	2
	300537	Adjustment key A6x6x14	2
	301249	Retaining ring 17x1 DIN471	2
	S31270	Tension bearings RAE 17 NPPB	2

## 12.12 300 560 001 Drive fitting

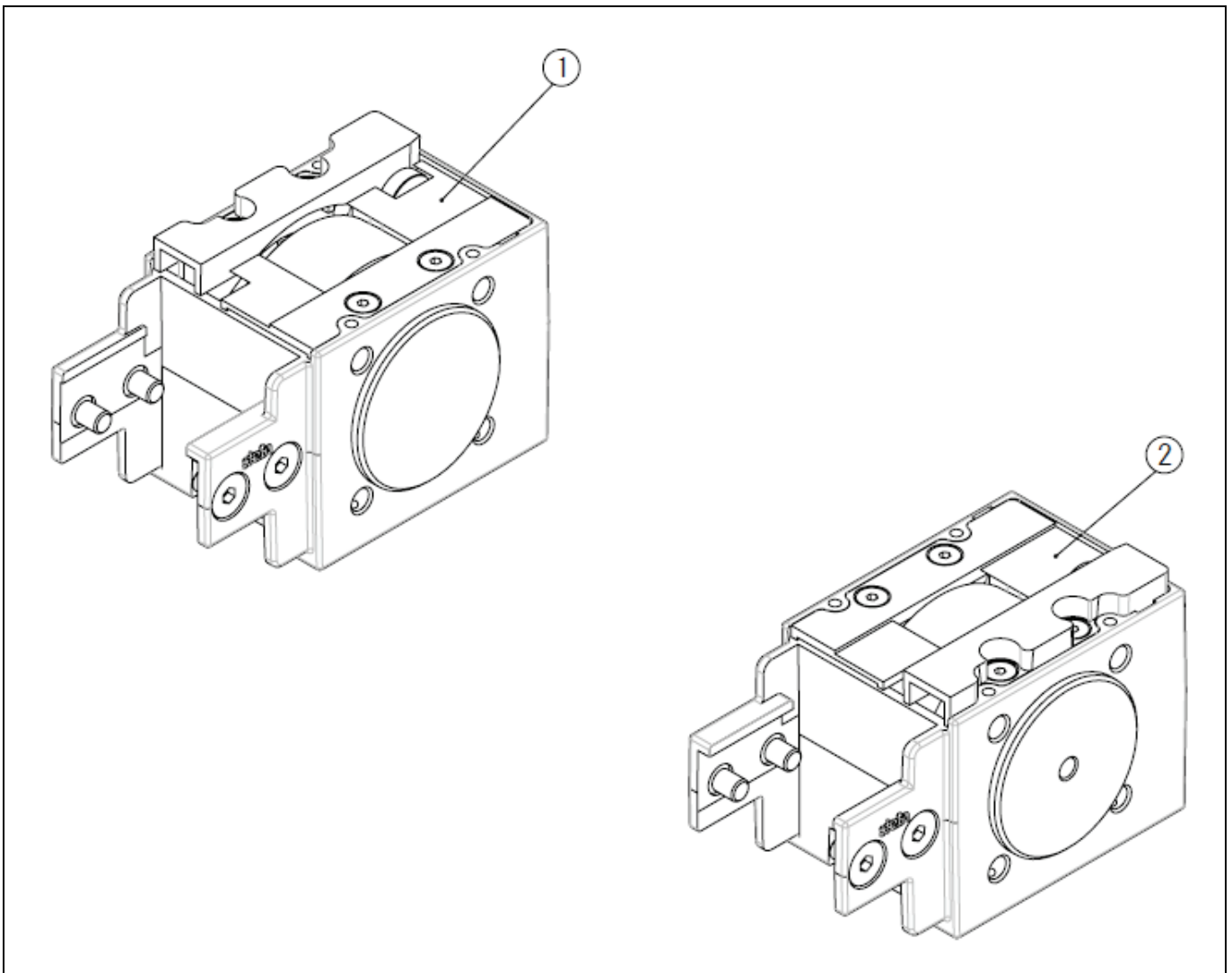
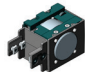
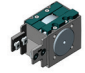


Fig. 12-12: Drive fitting

	Item no.	Order number	Description	Quantity
	1	300 956 001	Drive fitting conveyor end, right, for conveyor open for half-element	1
	2	300 961 001	Drive fitting conveyor end, left, for conveyor open for half-element	1

### 12.13 300 031 001 Spacer

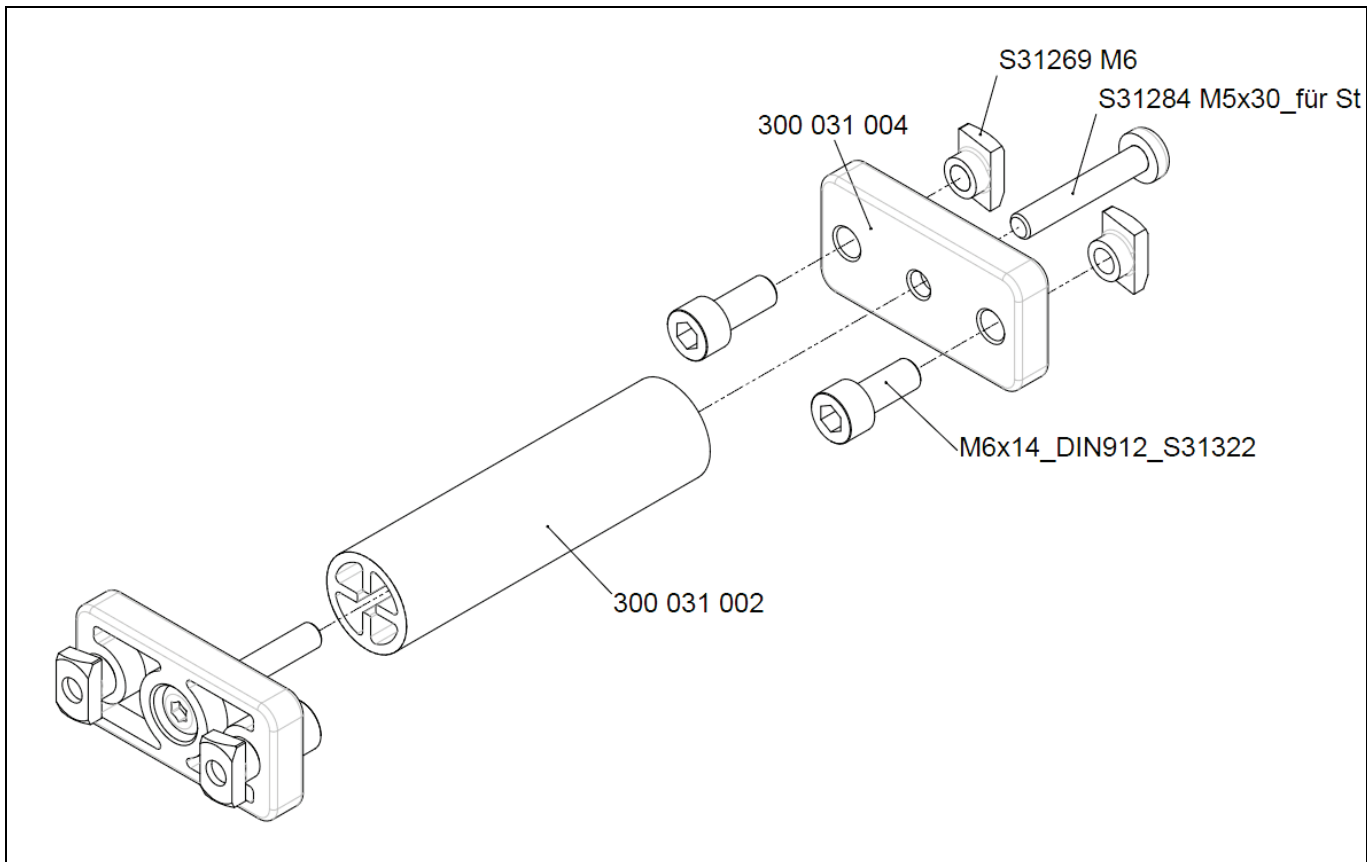







Fig. 12-13: Spacers

	<b>Order number</b>	<b>Description</b>	<b>Quantity</b>
	300 031 002	<b>Spacer bar</b>	2
	300 031 004	<b>Spacer plate</b>	2
	S31322	<b>M6x14 DIN912</b>	4
	S31269	<b>Slotted nut M6</b>	4
	S31284	<b>M5x30</b>	2

## 13 Accessories

### 13.1 Drive motors - drive sets

#### 13.1.1 WEG EC motor – 300 786 001

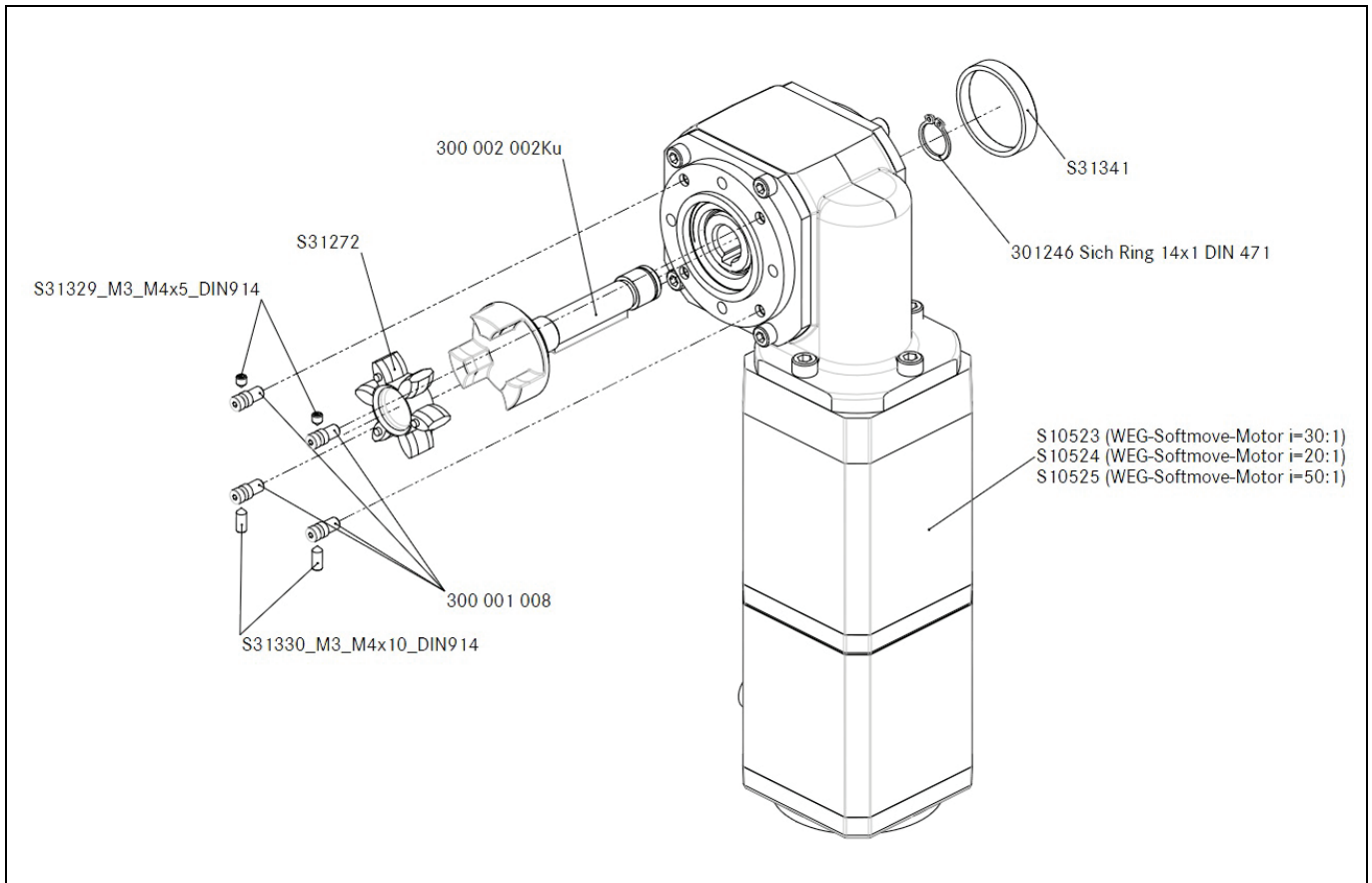


Fig. 13-1: WEG EC motor with clutch for connecting to a conveyor – 300 786 001

	Order number	Description	Quantity
	S10523	<b>WEG EC motor gear unit 30:1</b>	1
	S10524	<b>WEG EC motor gear unit 20:1</b>	1
	S10525	<b>WEG EC motor gear unit 50:1</b>	1
	300 824 001	<b>Power supply unit</b>	1
	300 001 008	<b>Retaining pin</b>	4
	300 002 002	<b>Coupling</b>	1
	S31341	<b>Protective cap</b>	1
	301246	<b>Retaining ring 14x1 DIN471</b>	1
	S31272	<b>Clutch spider</b>	1
	S31329	<b>Set screw M4x5 DIN914</b>	2
	S31330	<b>Set screw M4x10 DIN914</b>	2

### 13.1.2 EBM EC motor – 930 144 001

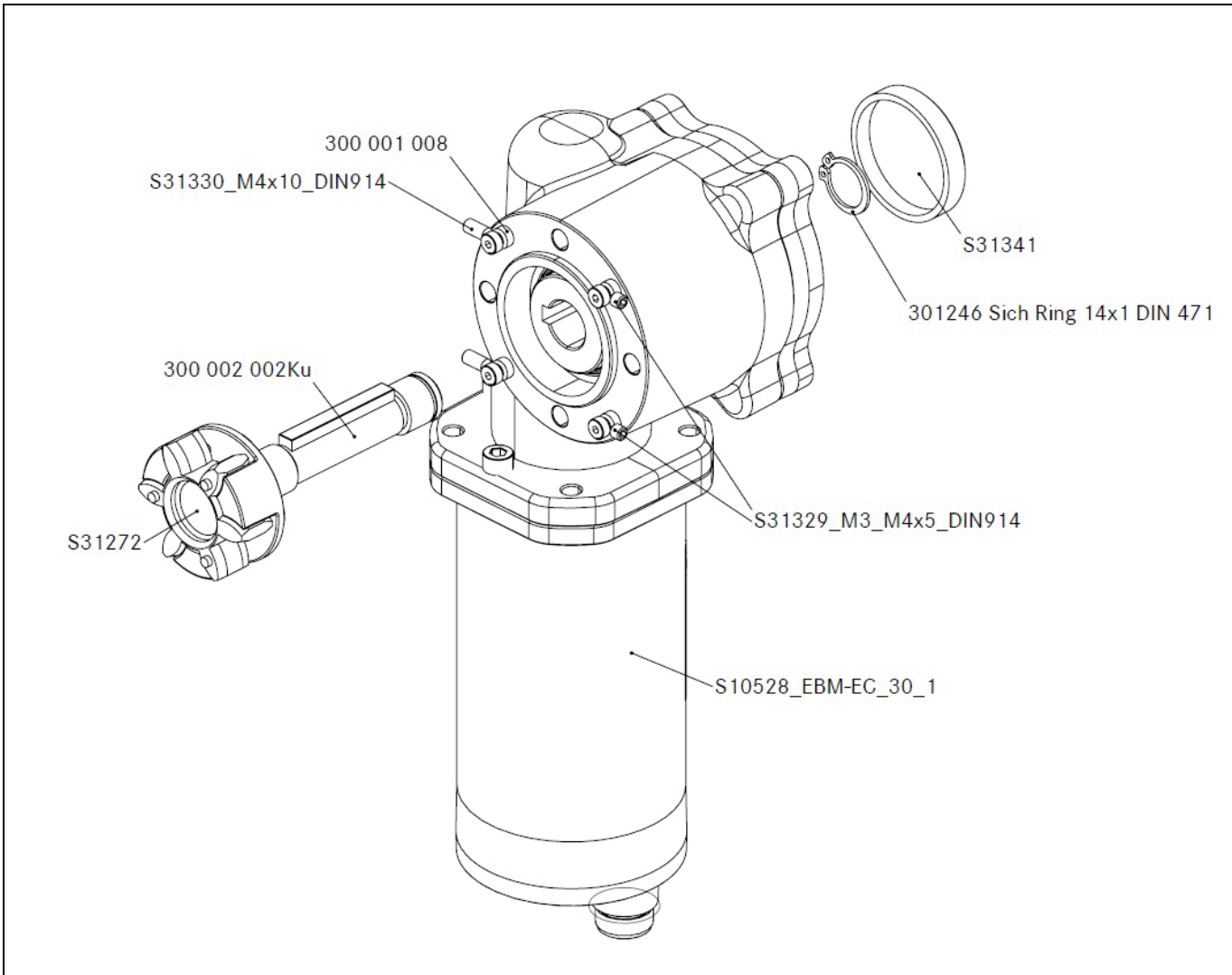


Fig. 13-2: ebm-papst EC motor with clutch for connecting to a conveyor - 930 144 001

	Order number	Description	Quantity
	S10528	<b>EBM EC-Motor with BHF gear unit 30:1</b>	1
	S10529	<b>EBM EC-Motor with BHF gear unit 50:1</b>	1
	300 002 002	<b>Coupling</b>	1
	300 001 008	<b>Retaining pin</b>	4
	S31272	<b>Clutch spider</b>	1
	S31329	<b>Set screw M4x5 DIN914</b>	2
	S31330	<b>Set screw M4x10 DIN914</b>	2
	301246	<b>Retaining ring 14x1 DIN471</b>	1
	S31341	<b>Protective cap</b>	1
	300 824 001	<b>Power supply unit</b>	1

### 13.1.3 WEG AC motor – 300 002 001

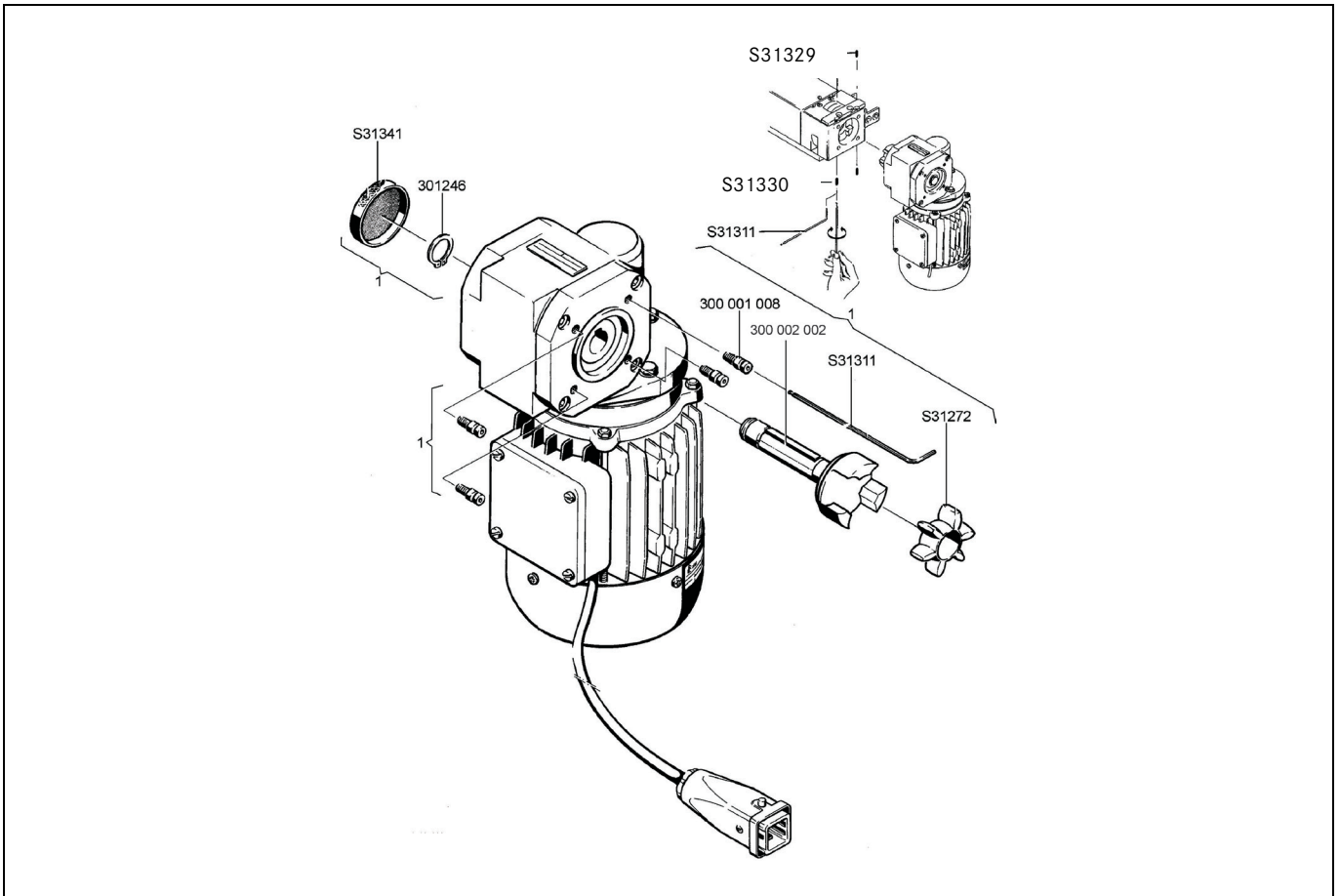
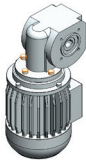









Fig. 13-3: WEG AC motor with clutch for connecting to a conveyor – 300 002 001

	Order number	Description	Quantity
	300 002 040	<b>WEG motor gear unit 40:1 (~ 6.9 m/min)</b>	1
	300 002 030	<b>WEG motor gear unit 30:1 (~ 9.1 m/min)</b>	1
	300 002 020	<b>WEG motor gear unit 20:1 (~ 13.7 m/min)</b>	1
	300 002 015	<b>WEG motor gear unit 15:1 (~ 18.3 m/min)</b>	1
	300 001 008	<b>Retaining pin</b>	4
	300 002 002	<b>Coupling</b>	1
	S31272	<b>Toothed wheel 19/92 Shore A</b>	1
	S31329	<b>Set screw M4x5 DIN 914</b>	2
	S31330	<b>Set screw M4x10 DIN 914</b>	2
	301246	<b>Retaining ring 14x1 DIN 471</b>	1
	S31341	<b>Protective cap</b>	1

### 13.1.4 WEG AC motor with terminal board – 300 929 001

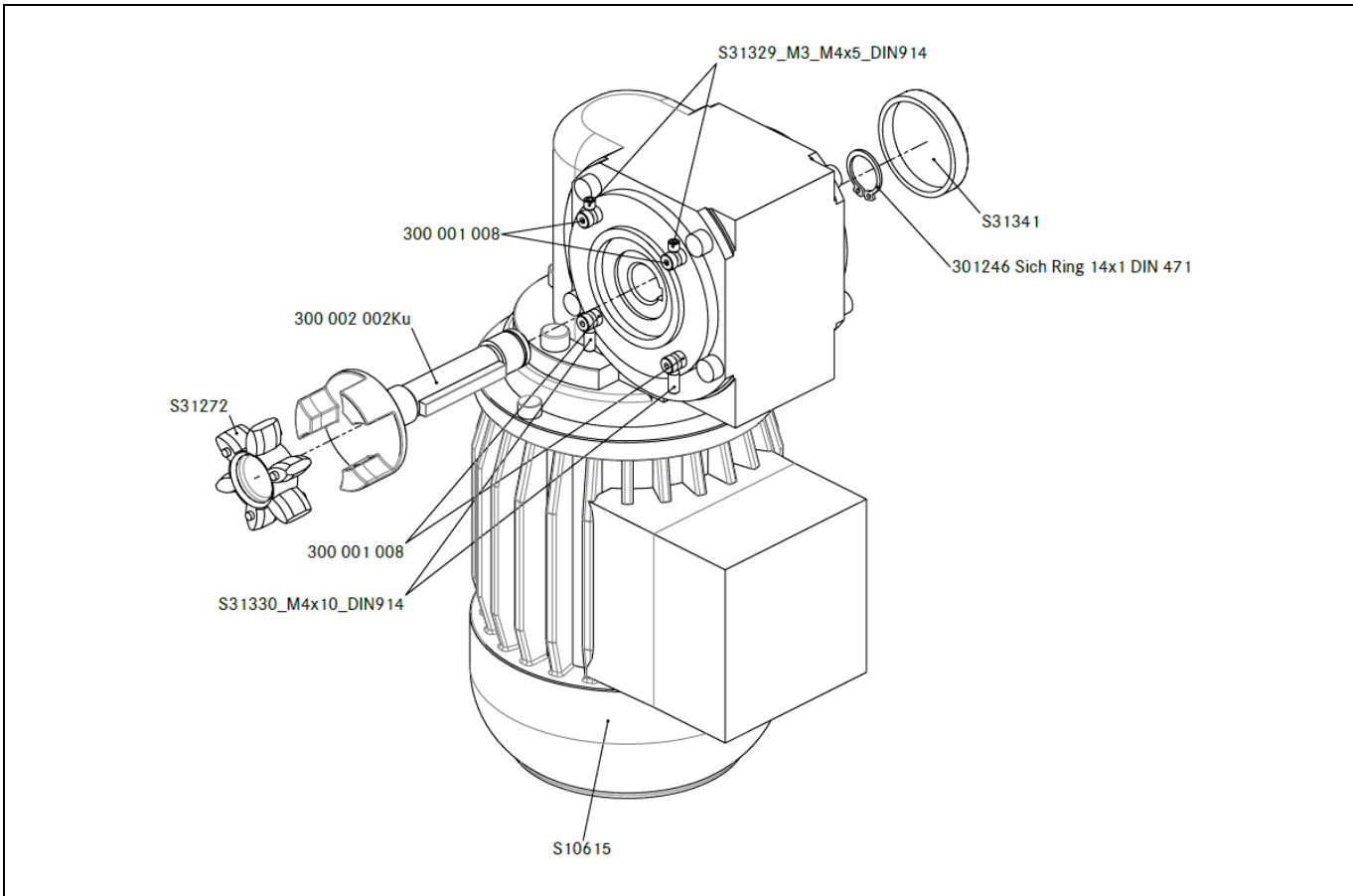
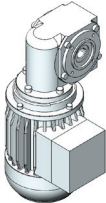









Fig. 13-4: WEG AC motor with clutch for connecting to a conveyor – 300 929 001

	Order number	Description	Quantity
	S10680	<b>WEG motor gear unit 80:1 (~ 3.4 m/min) with terminal board</b>	1
	S10640	<b>WEG motor gear unit 40:1 (~ 6.9 m/min) with terminal board</b>	1
	S10630	<b>WEG motor gear unit 30:1 (~ 9.1 m/min) with terminal board</b>	1
	S10620	<b>WEG motor gear unit 20:1 (~ 13.7 m/min) with terminal board</b>	1
	S10615	<b>WEG motor gear unit 15:1 (~ 18.3 m/min) with terminal board</b>	1
	300 001 008	<b>Retaining pin</b>	4
	300 002 002	<b>Coupling</b>	1
	S31272	<b>Toothed wheel 19/92 Shore A</b>	1
	S31329	<b>Set screw M4x5 DIN914</b>	2
	S31330	<b>Set screw M4x10 DIN914</b>	2
	301246	<b>Retaining ring 14x1 DIN471</b>	1
	S31341	<b>Protective cap</b>	1



### 13.1.5 WEG EC motor for half-element – "930 041 001

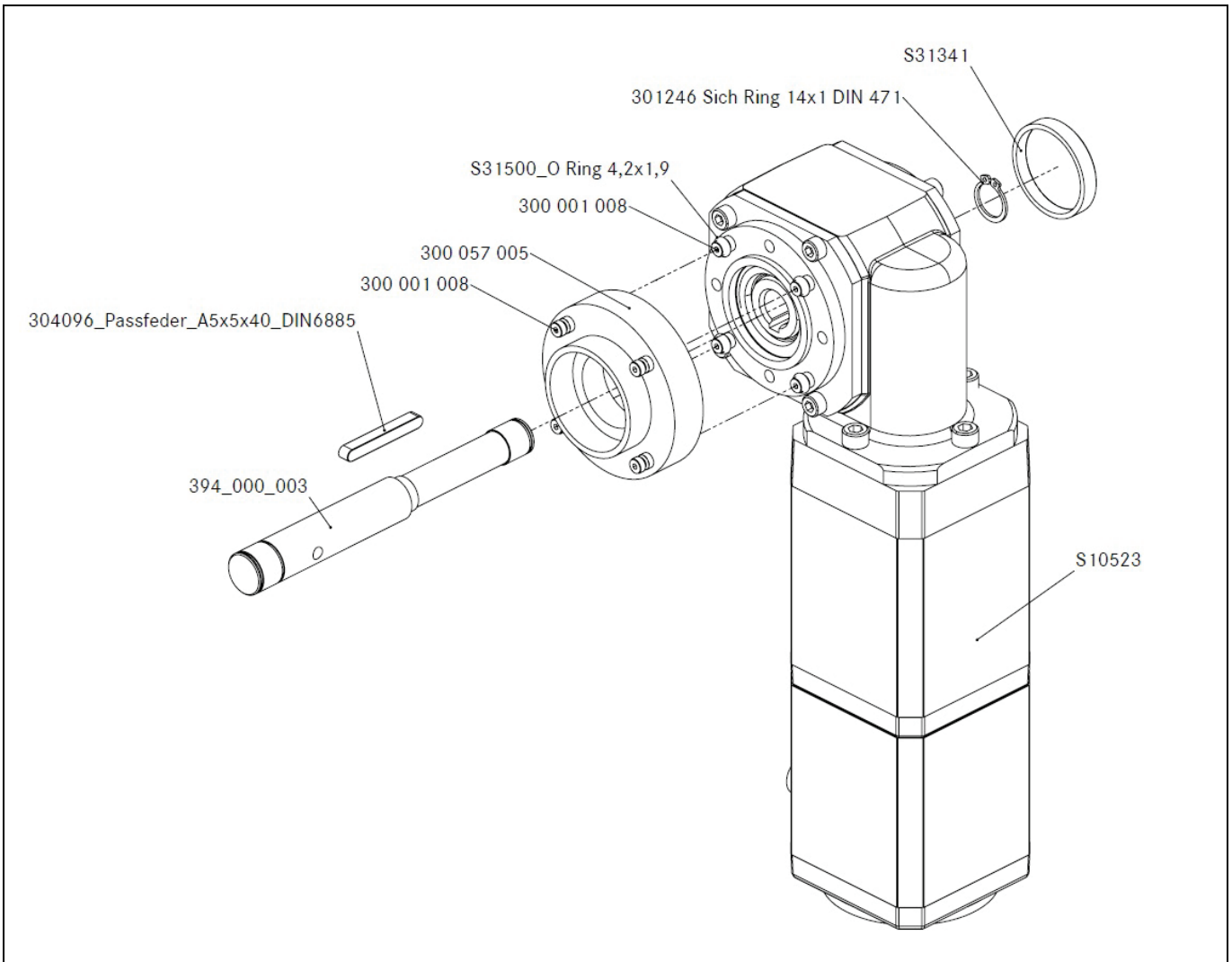
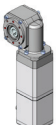










Fig. 13-5: WEG EC motor with clutch for connecting to a half-element – 930 041 001

	Order number	Description	Quantity
	S10523	<b>WEG EC motor gear unit 30:1</b>	1
	S10524	<b>WEG EC motor gear unit 20:1</b>	1
	S10525	<b>WEG EC motor gear unit 50:1</b>	1
	300 001 008	<b>Retaining pin</b>	8
	300 057 005	<b>Motor flange</b>	1
	394 000 003	<b>Drive shaft</b>	1
	S31341	<b>Protective cap</b>	1
	S31500	<b>O-ring 4.2x1.9</b>	1
	301246	<b>Retaining ring 14x1 DIN471</b>	1
	304096	<b>Feather key A5x5x40 DIN6885</b>	1
	300 824 001	<b>Power supply unit</b>	1

### 13.1.6 WEG AC motor for half-element –"930 042 001

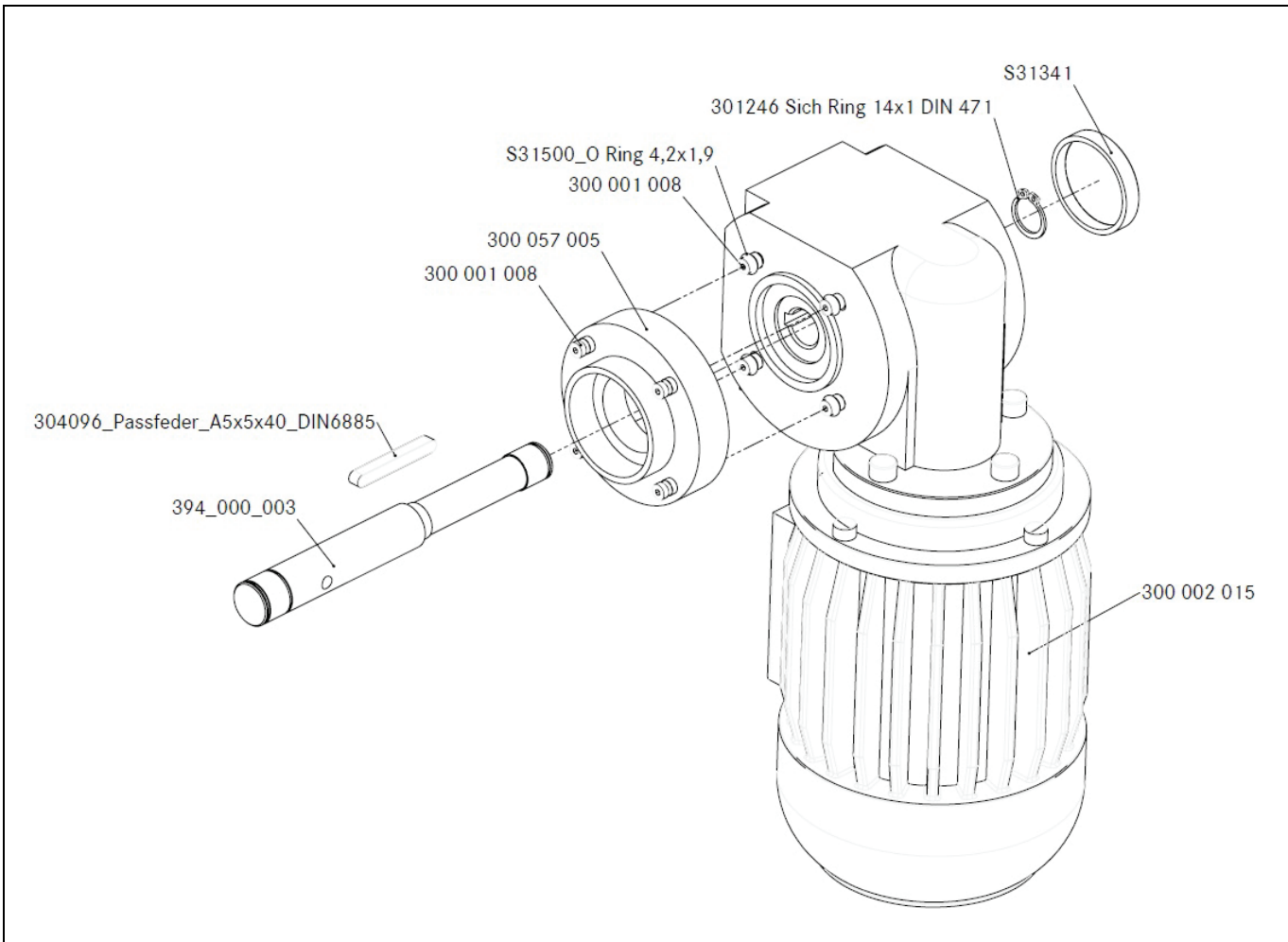










Fig. 13-6: WEG AC motor with clutch for connecting to a half-element – 930 042 001

	Order number	Description	Quantity
	300 002 040	<b>WEG motor gear unit 40:1 (~ 6.9 m/min)</b>	1
	300 002 030	<b>WEG motor gear unit 30:1 (~ 9.1 m/min)</b>	1
	300 002 020	<b>WEG motor gear unit 20:1 (~ 13.7 m/min)</b>	1
	300 002 015	<b>WEG motor gear unit 15:1 (~ 18.3 m/min)</b>	1
	300 001 008	<b>Retaining pin</b>	8
	300 057 005	<b>Motor flange</b>	1
	394 000 003	<b>Drive shaft</b>	1
	S31341	<b>Protective cap</b>	1
	S31500	<b>O-ring 4.2x1.9</b>	1
	301246	<b>Retaining ring 14x1 DIN471</b>	1
	304096	<b>Feather key A5x5x40 DIN6885</b>	1

### 13.1.7 WEG AC motor basic for half-element - "930 043 001

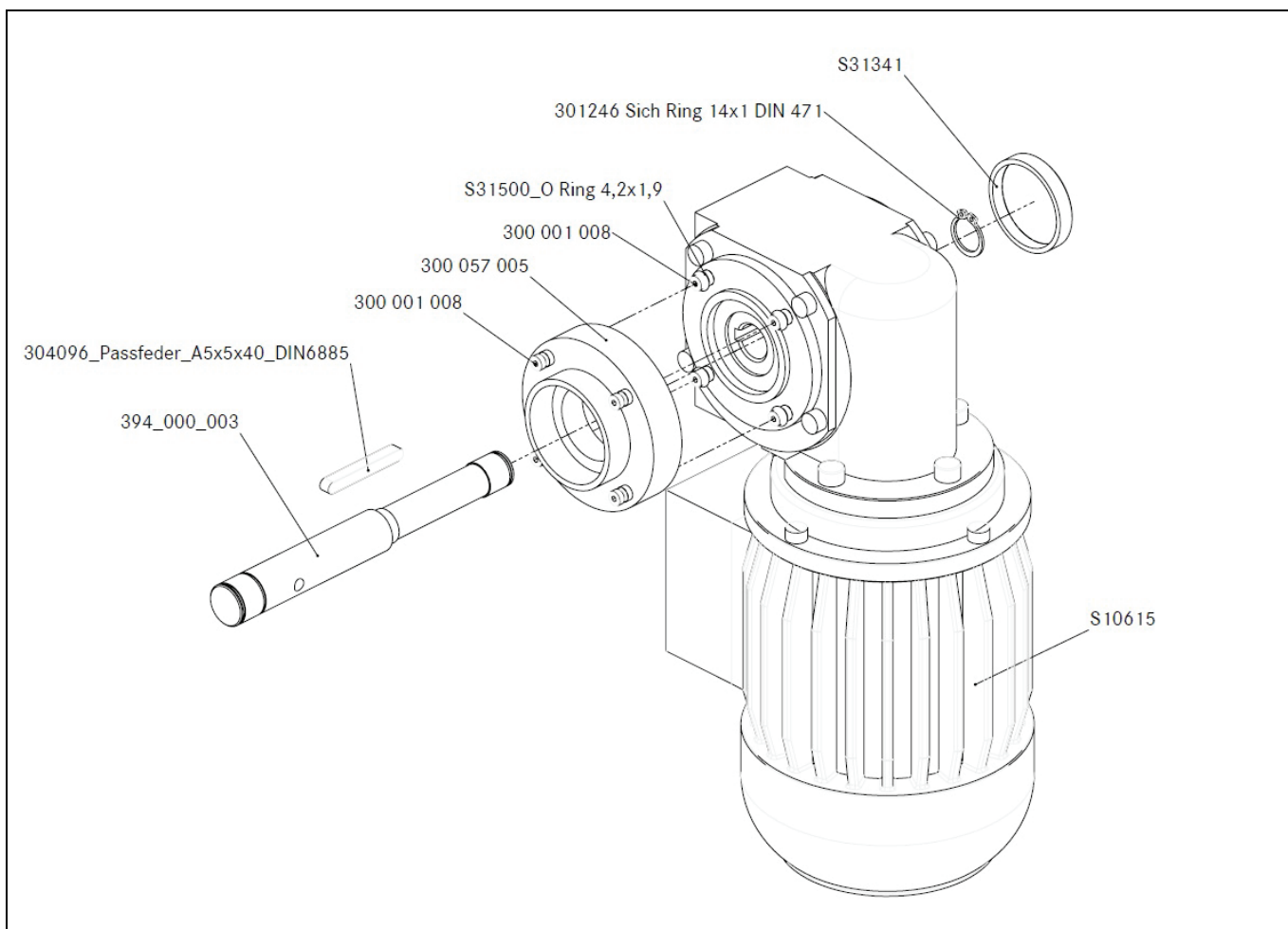
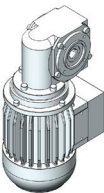









Fig. 13-7: WEG AC motor with clutch for connecting to a half-element – 930 043 001

	Order number	Description	Quantity
	S10680	<b>WEG motor gear unit 80:1 (~ 3.4 m/min) with terminal board</b>	1
	S10640	<b>WEG motor gear unit 40:1 (~ 6.9 m/min) with terminal board</b>	1
	S10630	<b>WEG motor gear unit 30:1 (~ 9.1 m/min) with terminal board</b>	1
	S10620	<b>WEG motor gear unit 20:1 (~ 13.7 m/min) with terminal board</b>	1
	300 001 008	<b>Retaining pin</b>	8
	300 057 005	<b>Motor flange</b>	1
	394 000 003	<b>Drive shaft</b>	1
	S31341	<b>Protective cap</b>	1
	S31500	<b>O-ring 4.2x1.9</b>	1
	301246	<b>Retaining ring 14x1 DIN471</b>	1
	304096	<b>Feather key A5x5x40 DIN6885</b>	1

### 13.1.8 EBM EC motor for half-element – "930 044 001

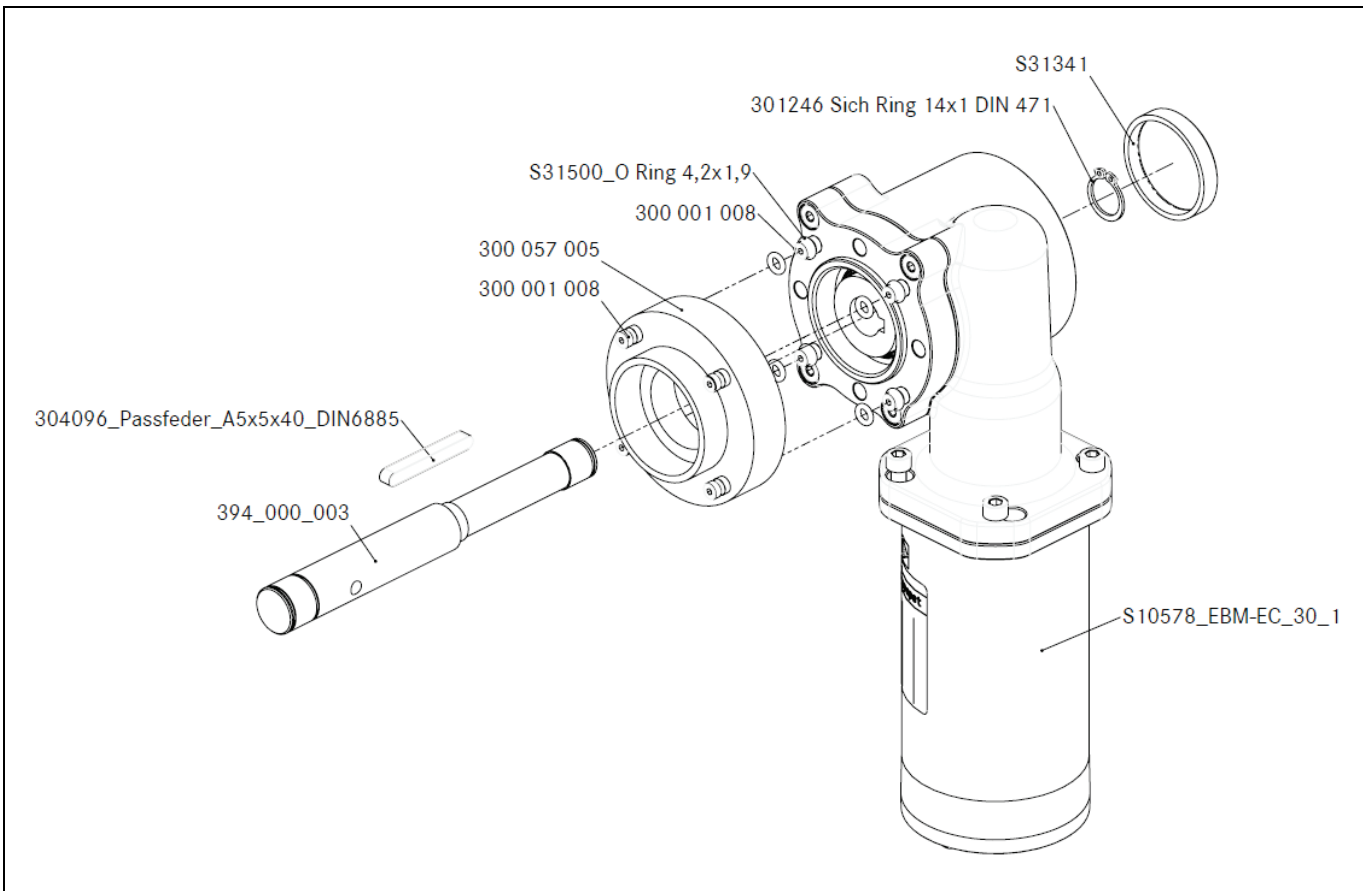
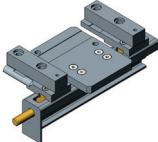
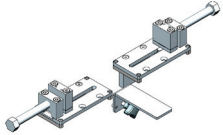
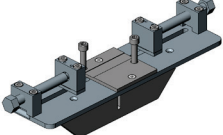


Fig. 13-8: EBM EC motor with clutch for connecting to a half-element – 930 044 001

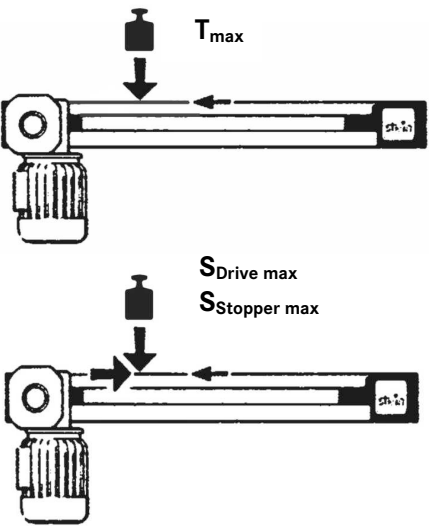
	Order number	Description	Quantity
	S10578	<b>EBM EC-Motor with BHF gear unit 30:1</b>	1
	S10579	<b>EBM EC-Motor with BHF gear unit 50:1</b>	1
	300 001 008	<b>Retaining pin</b>	8
	300 057 005	<b>Motor flange</b>	1
	394 000 003	<b>Drive shaft</b>	1
	S31341	<b>Protective cap</b>	1
	S31500	<b>O-ring 4.2x1.9</b>	1
	301246	<b>Retaining ring 14x1 DIN471</b>	1
	304096	<b>Feather key A5x5x40 DIN6885</b>	1
	300 824 001	<b>Power supply unit</b>	1

## 13.2 Belt accessories

	Order number	Description
<b>Splicer</b>		
	S32160	<b>Splicer SM-HC-50/40V for belts with finger joint</b>
	S20554	Heating press for belts with "overlapping connection" until mid-2017
<b>Belt tensioning device for BE 350 - 500mm</b>		
	399 020 001	<b>Belt tensioning device from 350 to 500 mm for belts with finger joint</b>
	399 008 001	Belt tensioning device from 300 to 800 mm for belts with "overlapping connection" until mid-2017
<b>Belt tensioning device for BE 500 - 3000mm</b>		
	399 019 001	<b>Belt tensioning device from 500 to 3000 mm for belts with finger joint</b>
	399 004 001	Belt tensioning device from 1000 to 3000 mm for belts with "overlapping connection" until mid-2017
<b>Belt punching device</b>		
	S70033	<b>Belt punching device for TT15E belts</b>
	S31922	Roll grinder with motor for belts with "overlapping connection" until mid-2017

## 14 Appendix

### 14.1 Technical specifications BER / QER / BEOU / PrB

<b>Possible track widths</b>	160 - 400 [mm]	
<b>Possible belt speeds</b>	v [m/min] variable to 21 m/min	
<b>Possible belt lengths</b>	L [mm] 500 - 3000, other belt lengths on request.	
<b>Dimensions</b>	See chapter 10	
<b>Permissible loads</b>		<p>Permissible loads:</p> <ul style="list-style-type: none"> <li>• Transport load <math>T_{max}=400\text{ N}</math></li> <li>• Stop and start-up load <math>S_{Drive\ max}=300\text{ N}</math></li> <li>• Queued load <math>S_{Stopper\ max}=250\text{ N}</math> (as per UVV)</li> </ul>
<b>Control</b>	<ul style="list-style-type: none"> <li>• WTS controller</li> </ul>	
<b>Noise level (distance from the noise source 1 m; WT loaded in queue mode)</b>	< 69 dB	



This information reflects the technical status at the time of printing.  
STEIN Automation reserves the right to make technical alterations.

## **STEIN Automation GmbH & Co. KG**

Carl-Haag-Straße 26

78054 VS-Schwenningen, Germany

Telephone +49 (0)7720 / 8307-0  
info@stein-automation.de

**[www.stein-automation.de](http://www.stein-automation.de)**