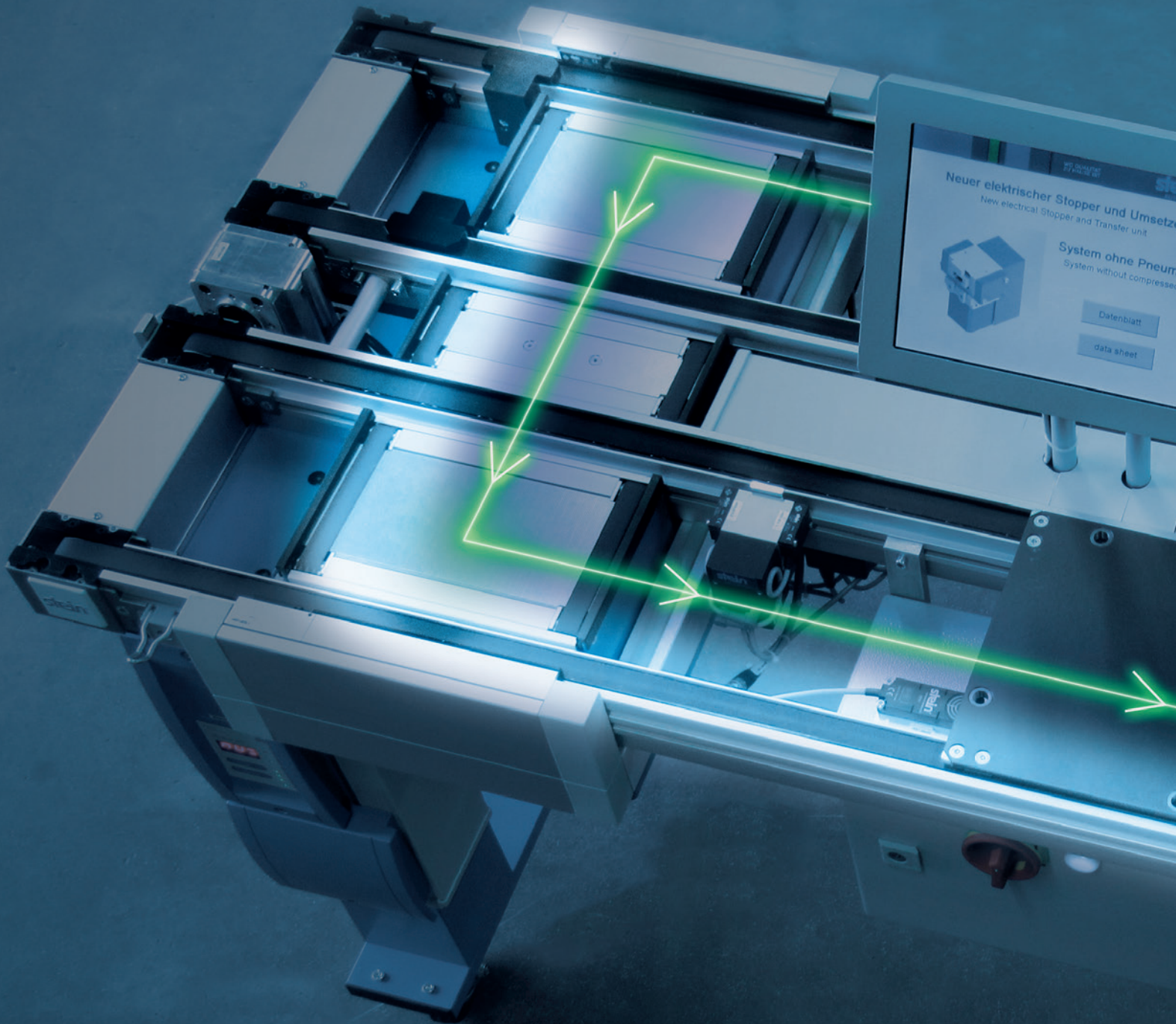


STEIN 300e

STRONG WHEN IT COMES TO ELECTRICS

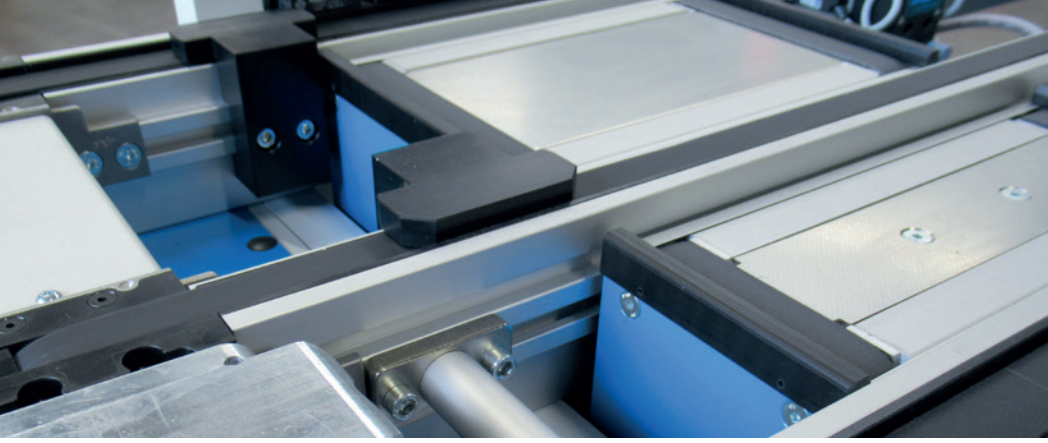


THE HOME
OF QUALITY

50
YEARS

stein®
AUTOMATION

GETTING TO THE HEART OF TRANSFER

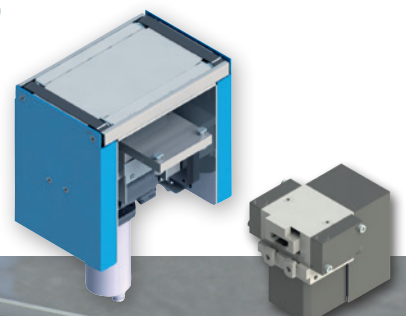


STEIN 300e

STEIN promotes the trend towards electrification with the STEIN 300e, which is based on the STEIN 300. Instead of pneumatics, the stoppers, transfer units or centering devices are controlled via electric drives. This is particularly a big advantage for cleanroom applications. As a side benefit, your production is more environmentally friendly.

Technical data:

- Pallet sizes: 160 x 160 mm - 400 x 400 mm, (6,3 x 6,3 inch - 15,75 x 15,75 inch) without grids, other sizes on request
- Max. total weight of pallet: 25 kg (55 lb)
Load / E-stopper: max. 3 pallets
- Transport speed: max. 21 m /min
- Power supply: 24 V DC
- Current consumption
Stand by current for E-stopper, transfer unit < 0.1 A
Peak current: E-stopper 1.0 A, transfer unit 2.0 A
- Stroke length: E-stopper 6 mm (0.24 inch),
transfer unit 16 mm (0.63 inch)
- Lifting time: E-stopper 0.22 s
Transfer unit 0.4 s



STEIN Automation GmbH & Co. KG

Carl-Haag-Str. 26 | 78054 VS-Schwenningen
info@stein-automation.de | www.stein-automation.de

