

8.12.10 Retention lock – pallet

i

The retention lock prevents the manual pushing of the pallet against the driving direction to or from the processing position.

Fig. 8-33

300 274 001

Retention lock – pallet
after workstation

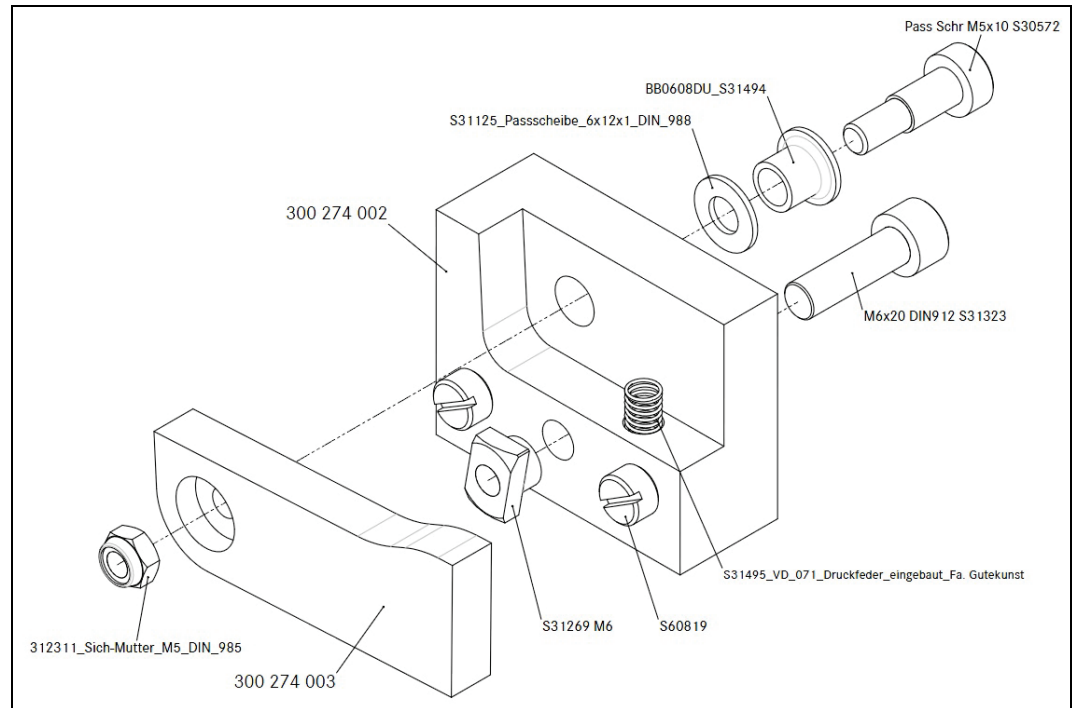


Fig. 8-34

300 275 001

Retention lock – pallet in
workstation

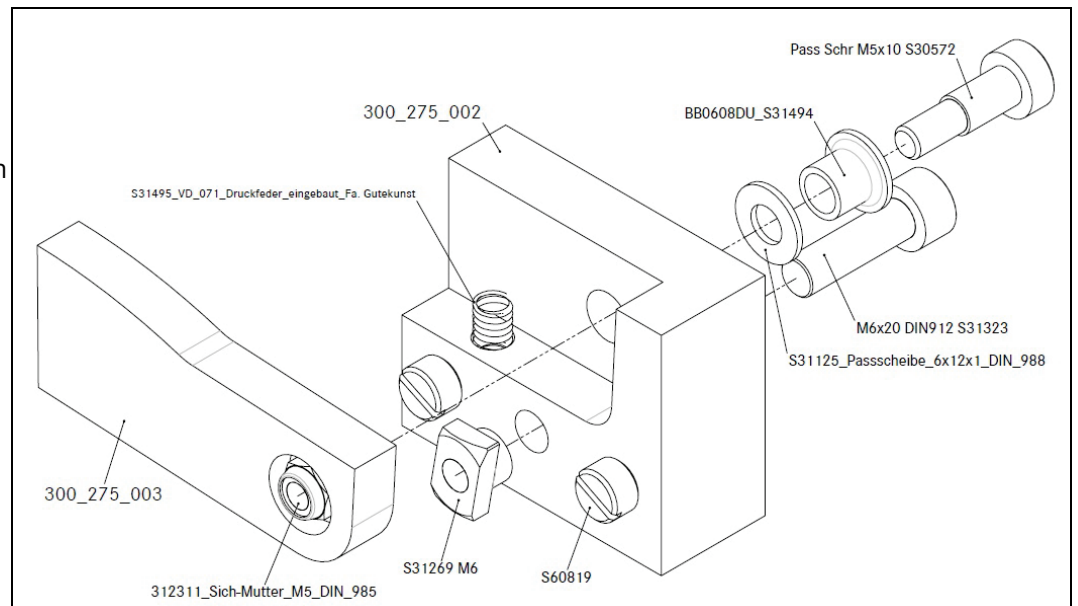


Fig. 8-35

300 941 001
(from november 2014)

Retention lock – pallet in
workstation

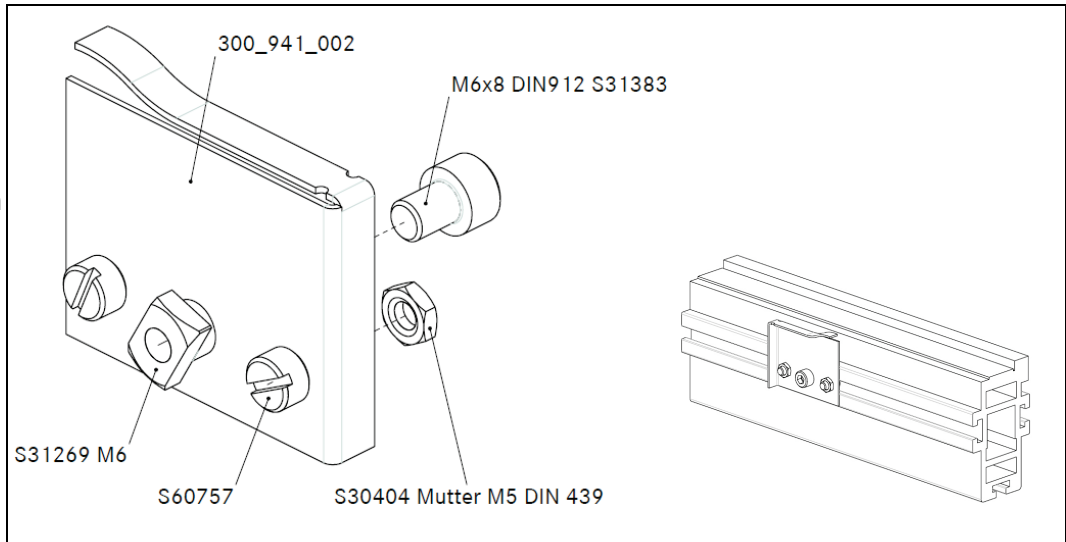


Fig. 8-36

300 942 001
(from november 2014)

Retention lock – pallet
after workstation

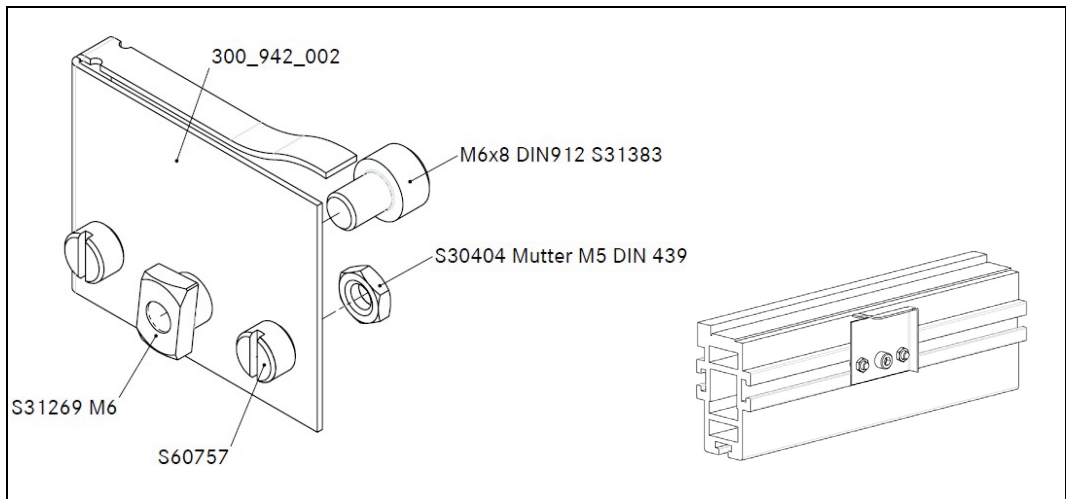
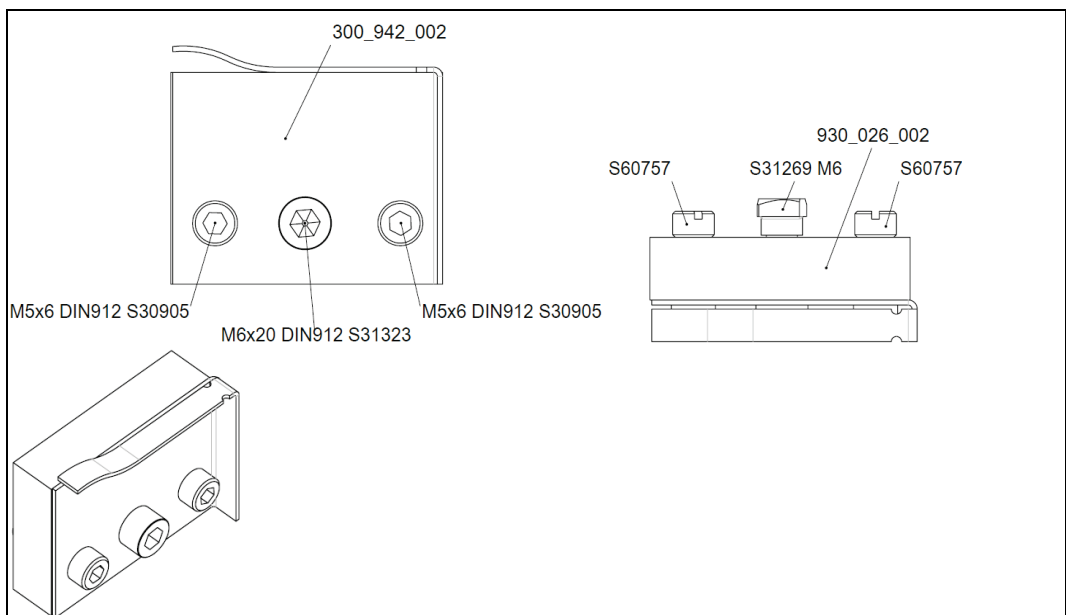


Fig. 8-37

930 026 001

Retention lock pallet
right - indented



This information reflects the technical status at the time of printing.
STEIN Automation reserves the right to make technical updates.

STEIN Automation GmbH & Co. KG

Carl-Haag-Straße 26
78054 VS-Schwenningen

Telephone +49 (0)7720 / 8307-0
info@stein-automation.de

www.stein-automation.de